

Multiblindo Classic

Mechanical lock



PRODUCT

Highest quality and security mechanical lock for high resistant doors (the highest in the reference standards). Its strong point is high resistance to break-in, making it the perfect choice to protect entrances, equipped with multiple locking points and with a high level of security.

Modular multipoint versions with interchangeable deviators: deviator with pin bolt (top and bottom), with rotating bolts and rotating hok deviators.

APPLICATIONS

Multiblindo Classic lock is recommendend to securing the following entrances:

- Entrance doors of residential environments
- Entrance doors of companies and offices
- Entrance doors of shops and shopping centres

TECHNICAL FEATURES

Centre distances	92 mm
Backsets	Multipoint: 25-30-35-40-45-50-55-60-65 mm Lateral: 25-30-35-40 mm
Handle Followers	8 mm
Front plates	Lateral locks with sections: <ul style="list-style-type: none">■ U 24x6 in stainless steel for aluminium doors■ U 24x5 in stainless steel for iron doors■ U 22x7 in black painted aluminium for aluminium doors■ Flat 24x3 in stainless steel for aluminium/iron doors■ Flat 22x3 in stainless steel for aluminium doors Multipoint locks with adjustable height starting from 2300 mm with sections: <ul style="list-style-type: none">■ U 24x6 in stainless steel for aluminium doors■ U 24x5 in stainless steel for iron doors■ U 22x7 in aluminium for aluminium doors■ Flat 24x3 in stainless steel for aluminium doors Multipoint locks with fixed height starting from 1860 mm with sections: <ul style="list-style-type: none">■ U 24x6 in stainless steel for aluminium/iron doors■ Flat 24x3 in stainless steel for aluminium/iron doors Extension with 4° locking point, adjustable height up to 3220 mm with sections: <ul style="list-style-type: none">■ U 24x6 in stainless steel for aluminium/iron doors■ Flat 24x3 in stainless steel for aluminium doors
Lock case	<ul style="list-style-type: none">■ Equipped with through screw holes for easily fixing the handle■ Closed on all sides to prevent that bars from machining can jam in the lock mechanisms and to make an high resistance of the door to a possible burglary attempted from the back of the lock case

Possibility to match Multiblindo with ISEO cylinders to allow resistance to external attacks, reliability, durability and protection against attempts of unauthorized key duplication.

Multiblindo Classic

Mechanical lock

OPERATION

- The key operates the deadbolts and the latchbolt (external/internal)
- The handle disengages the latchbolt (internal)

RANGE

- Lateral mechanical lock (Blindo)
- Multipoint mechanical lock
- Multipoint mechanical lock + Extension



LATERAL
BLINDO



MULTIPOINT



MULTIPOINT +
second leaf
semi-fixed with
espagnolette



MULTIPOINT
with extension



MULTIPOINT
with extension +
second leaf
semi-fixed with
espagnolette

MAIN ACCESSORIES AND MATCHING PRODUCTS

- Roller or cap replacing the latchbolt
- Cylinder protection
- Libra Smart electronic cylinder
- CSF F9000 mechatronic cylinder
- Adjustable or fixed strike plates in stainless steel or black painted
- Anti-drill plate to be fixed to the body of the lock from the external side
- Adjustable stainless steel long strike plates
- Adjustable stainless steel long strike plates for two-leaf door with semi-fixed second leaf. The strike plate is equipped with a manually operated lever espagnolette

STANDARDS

Lateral:

- EN 12209 (grade 7) classification: I3IXI9IAI0IGI7I0I

Multipoint:

- pr EN 15685 (grade 7) classification: I3IXI9IAI0IGI7I0I3I0I

Multipoint + Extension:

- pr EN 15685 (grade 7) classification: I3IXI6IAI0IFI7I0I3I0I

TEXT FOR SPECIFICATIONS

High security lateral or multipoint high security lock, certified with grade 7 according to the EN 12209 and pr EN 15685 standards.

Multiblindo Classic

Mechanical lock

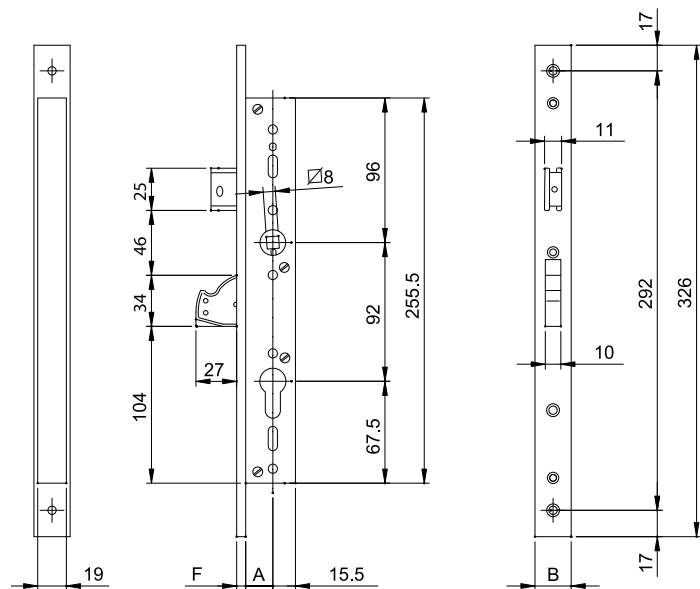
HIGHLIGHTS

- High resistant locks, certified according to the maximum levels (grade 7) of the following reference standards EN 12209, pr EN 15685:
 - resistance to lateral and bottom forcing with a load of over 1000 kg;
 - resistance to a front load of over 600 kg.
- **Durability:** tested to over 200.000 opening and closing cycles under a load of 120 N on the door.
- **Deadbolt with deadlocking system:** in the event of a break-in attempt, the bottom-up load, exerted on the dead bolt
 - moves its pivot point upwards
 - sticks the deadbolt between the door and the frameThe door is definitively locked in an irreversible way.
- **Deadbolts with independent resistance at burglar:** each deadbolt is designed to offer its own resistance to break-in attempts. This feature allows, in the event of burglary attempt on one deadbolt, that the others continue to resist independently. The attack must be repeated for each individual locking point.
- **Reinforced deadbolts:** the deadbolts are reinforced through hardened steel plates on both sides: this material gives greater resistance to cutting and drilling. The deadbolts can be swinging or hook type with anti-lift pin: both models provide better locking and resistance of the door to burglary.
- **Modular Lock:** A central lock with a long front plate can be integrated with deviators chosen by the installer, for doors up to 2300 mm. In addition, for doors up to 3220 mm, Multiblindo Classic can be equipped with the extension to an additional fourth locking point. This allows for more flexible storage.

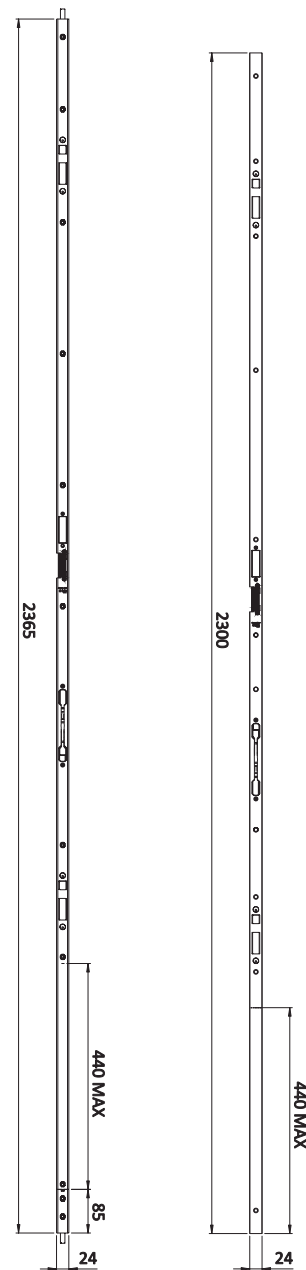
Multiblindo Classic

Mechanical lock

07/2025. Non-contractual document. Subject to change. Images for illustrative purposes only.



Lateral Blindo



Adjustable long strike plate with manual lever espagnolette for semi-fixed second leaf