



# EU DECLARATION OF CONFORMITY nr. 51



## 1. Manufacturer

**ISEO Serrature s.p.A.**  
Via S. Girolamo, 13 - IT 25055 - Pisogne (BS)

## 2. Product Identification

### Mechatronic cylinder

## 3. Identification codes

### Series **F9000 Cylinders V3**

Models	Standard
	Standard Free Cam
	Double
	Double Free Cam
	Knob
	Half
	Oval Scandinavian
	External rim nickel-plated, diam. 35 mm, U.S. type
	External rim nickel-plated, diam. 40 mm
	Round threaded nickel-plated
	Threaded nickel-plated M26, with signalling microswitch

### Series **F9000 keys (without buzzer)**

Models	ON User Key
	ON User key with RFID transponder
	UP User Key
	UP User key with RFID transponder
	PR Programmer Key
	EM Emergency Key
	LO Lockout Key
	RL Reversal Lockout Key

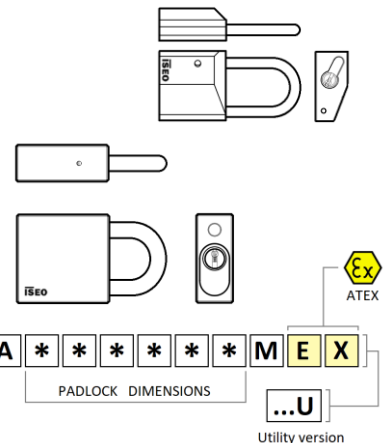
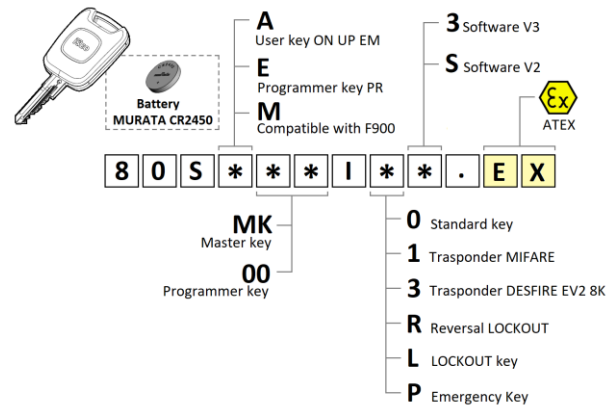
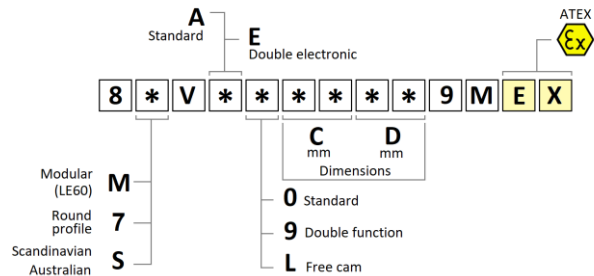
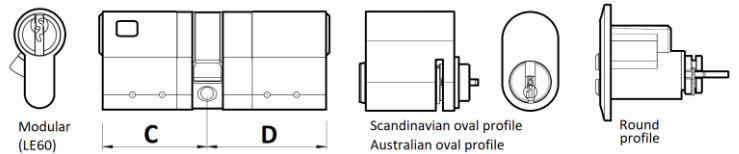
### Series **F9000 Padlocks V3**

Models	Universal SH30 Standard
	Universal SH30 Self-locking
	Universal SH50 Standard
	Universal SH50 Self-locking
	Security SH25
	Security SH50
	Security SH60
	Security SH110
	High security SH28
	High security SH50
	High security SH28 with protected shackle
	Very High Security SH27

art. 41VA6010001130MEX  
art. 41VA6000001130MEX  
art. 41VA6010001150MEX  
art. 41VA6000001150MEX

### Product codes

Postfix "EX" in the code means product conform to ATEX Directive



#### 4. Applicable directives

**2014/34/EU (ATEX)** - Systems intended for use in potentially explosive atmospheres.  
**2014/53/EU (EMC)** - Radio equipment  
**2011/65/UE (RoHS)** - Restriction of the use of certain hazardous Substances in EEE

#### 5. Reference standards

##### ATEX

<b>EN 60079-11 :2012</b>	Explosive atmospheres. Part 11: Equipment protection by intrinsic safety "i"
<b>ISO/IEC 80079-34:2020</b>	Explosive atmospheres. Part 34: Application of quality management systems for Ex Product manufacture
<b>EN IEC 60079-0:2018</b>	Explosive atmospheres. Part 0: Equipment - General requirements

##### RED

<b>Health and Safety</b>	<b>2014/53/UE – Art. 3(1)(a)</b>	<b>EN 62368-1:2020, EN 62479:2010, EN 50364 :2010</b>
<b>EMC</b>	<b>2014/53/UE – Art. 3(1)(b)</b>	<b>ETSI EN 301 489-1 V2.2.3:2019 ETSI EN 301 489-3 V2.1.1:2019 ETSI EN 301 489-17 V3.2.4:2020</b>
<b>Spectrum use</b>	<b>2014/53/UE – Art. 3(2)</b>	<b>ETSI EN 300 328 V2.2.2:2019 ETSI EN 300 330 V2.1.1:2017</b>
<b>Cybersecurity</b>	<b>2014/53/UE – Art. 3(3)</b>	<b>EN18031-1:2024</b>
<b>Other</b>	<b>2014/53/UE – Art. 3(3)</b>	<b>//</b>

##### IP Code

<b>F9000</b> cylinders (all profiles) and padlocks	<b>IP6X</b> – Dust tight with vacuum of 20 mbar / 8 hours <b>IPX6</b> – Powerful water jet 100 l/min. at 100 kPa distance 3 m. <b>IPX8</b> – Immersion in water 5,0 m for 1 hour <b>IPX9</b> – Powerful 80 °C water jet at 8÷10 MPa distance 0,2 m.
<b>F9000</b> key	<b>IP6X</b> – Dust tight with vacuum of 20 mbar / 8 hours <b>IPX5</b> – Water jet 12,5 l/min. at 30 kPa distance 3 m.

##### IK Code

<b>F9000</b> key	<b>IK08</b> – Impact resistance 5 J by a steel sphere Ø 50 mm 1,5 kg.
------------------	-----------------------------------------------------------------------

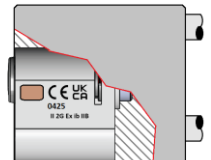
#### 6. ATEX - EC certificates

Number	Current issuing	Notified Body	
0425 ATEX 004673-02 X	EU-Type Examination (Annex III)	2024-07-01	ICIM S.p.A. (NB0425)
0425 ATEX 001948-07	Quality product assurance (Annex VII)	2024-02-06	ICIM S.p.A. (NB0425)

#### 7. ATEX - Classification

Ex II	2	G	Ex ib	IIB	T4	Gb
For use in surface industries (mines excluded)	The device is useful in zone 1 and zone 2 while is not useful in zone 0	Gas	Intrinsically safety protection	Group of gas Acetic Acid, Acetone, Ammonia, Butane, Cyclohexane, Propane, Gasoline (petrol), Methane (natural non-mining), Toluene, Xylene, Methanol (methyl alcohol), Propane-2-ol, Di-ethyl ether, Ethanol, Methyl ethyl ketone (MEK), Propane-1-ol (n-propyl alcohol), Ethylene	Surface temperature of equipment ≤120°C  This parameter does not have to be confused with the usage temperature range indicated in the user manual. (-20°C + +50°C)	High level of protection: not an ignition source in normal operation or during expected malfunction

#### 8. ATEX - Marking (indicative)



##### Cylinders

- ISEO brand as the manufacturer
- CE and UKCA mark plus body nr. (0425)
- ATEX pictogram Ex and reduced classification

##### Keys

- ISEO brand as the manufacturer
- CE and UKCA mark plus body nr. (0425)
- ATEX pictogram Ex and reduced classification

##### Padlocks

- ISEO brand as the manufacturer
- CE and UKCA mark plus body nr. (0425)
- ATEX pictogram Ex and reduced classification

## 9. Further information

Document	Scope	Number	Issued	Issued by
Technical file	CE and UKCA	FT F9000 rev.16.2	2025-11-07	ISEO SERRATURE S.p.A.
Test report	ATEX (ITT)	IT/EUT/ExTR24.0001/00	2024-04-29	Eurofins Product Testing Italy S.r.l.
Test report	ATEX (ITT)	EPT.24.ATEX.0069/2323057	2024-04-29	Eurofins Product Testing Italy S.r.l.
Test report	ATEX (Coil analysis)	EPT.22.ATEX.0228/2223052	2022-12-22	Eurofins Product Testing Italy S.r.l.
Test report	ATEX (ITT)	IT/EUT /ExTR22.0005/00	2022-07-26	Eurofins Product Testing Italy S.r.l.
Test report	ATEX (ITT)	EPT.22.ATEX.0115/2223004	2022-07-26	Eurofins Product Testing Italy S.r.l.
Test report	ATEX (batteries)	AT24-0110265-01	2025-02-11	IMQ S.p.A.
Test report	RED	0703-3-23-SAFRT-0	2024-03-22	RADIOMOTIVE S.r.l
Test report	RED	0703-23-REDRT-1	2023-04-19	RADIOMOTIVE S.r.l
Test report	RED	0007-3-23-SAFTR-0	2023-06-09	RADIOMOTIVE S.r.l
Test report	RED	0007-4-23-EMCTR-0	2023-04-18	RADIOMOTIVE S.r.l
Test report	RED	0007-7b-23-MPETR 0	2023-04-18	RADIOMOTIVE S.r.l
Test report	RED	0007-7a-23-MPETR-0	2023-04-18	RADIOMOTIVE S.r.l
Test report	RED	0007-6-23-RADIOTR-0	2023-04-18	RADIOMOTIVE S.r.l
Test report	RED	0007-5-23-RADIOTR-0	2023-04-18	RADIOMOTIVE S.r.l
Test report	RED	0703-7b-23-MPETR-0	2024-03-19	RADIOMOTIVE S.r.l
Test report	RED	0703-7a-23-MPETR-0	2024-03-19	RADIOMOTIVE S.r.l
Test report	RED	0703-4-23-EMCTR-0	2024-03-19	RADIOMOTIVE S.r.l
Test report	RED	0703-6-23-RADIOTR-0	2024-03-19	RADIOMOTIVE S.r.l
Test report	RED	0703-23-SAFRT-0	2024-03-22	RADIOMOTIVE S.r.l
Test report	RED	EN18031 Conceptual test - (System)	2025-10-14	Security Pattern S.r.l.
Test report	RED	EN18031 Functional test - (System)	2025-10-17	Security Pattern S.r.l.
Test report	IP test (cylinder)	598-QL18-R01 IP 66, 68, 69	2018-06-25	QUALILAB S.r.l.
Test report	IP test (key)	850-QL17-R01 IP X5	2017-09-04	QUALILAB S.r.l.
Test report	IP test (key)	850-QL17-R02 IP 6X	2017-09-04	QUALILAB S.r.l.
Test report	IK test (key)	850-QL17-R03 IK 08	2017-09-04	QUALILAB S.r.l.
Test report	RoHS	CH.23.05.30.07-01	2023-06-29	APAVE ITALIA CPM S.r.l.
Test report	RoHS	CH.25.02.13.02-02	2025-03-20	APAVE ITALIA CPM S.r.l.

## 10. Special prescriptions

See user manuals supplied with the product and also available at [www.iseo.com](http://www.iseo.com)

- Use only Lithium battery CR2450 (MURATA, PANASONIC, VARTA)
- Battery must not be replaced in potentially explosive atmosphere rooms.
- The user must take precautions to ensure that no discharges occur due to the potential deposition of electrostatic charges.
- Programming and validation of the key must not take place in a potentially explosive atmosphere.

SCIP Declaration available on <https://www.iseo.com/en/Support/Download>



# DICHIARAZIONE UE DI CONFORMITÀ nr. 51

**IT**  
Italia

## 1. Fabbricante

**ISEO Serrature s.p.A.**

Via S. Girolamo, 13 - IT 25055 - Pisogne (BS)

## 2. Identificazione del prodotto

**Cilindro meccatronico**

## 3. Codici di identificazione del prodotto

**Serie F9000 Cylinders V3**

Modelli	Standard
	Standard Free Cam
	Double
	Double Free Cam
	Knob
	Half
	Oval Scandinavian
	External rim nickel-plated, diam. 35 mm, U.S. type
	External rim nickel-plated, diam. 40 mm
	Round threaded nickel-plated
	Threaded nickel-plated M26, with signalling microswitch

**Serie F9000 keys (senza buzzer)**

Modelli	ON User Key
	ON User key with RFID transponder
	UP User Key
	UP User key with RFID transponder
	PR Programmer Key
	EM Emergency Key
	LO Lockout Key
	RL Reversal Lockout Key

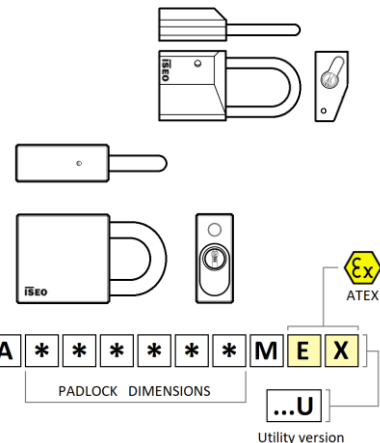
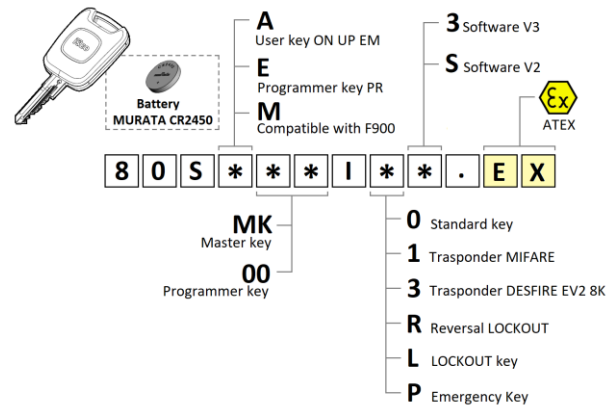
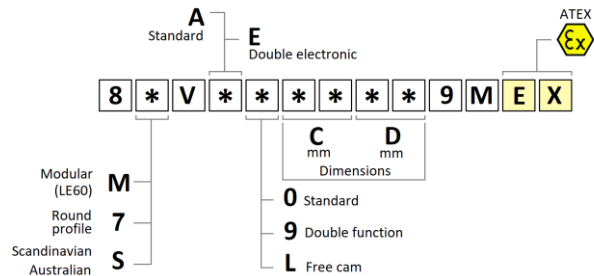
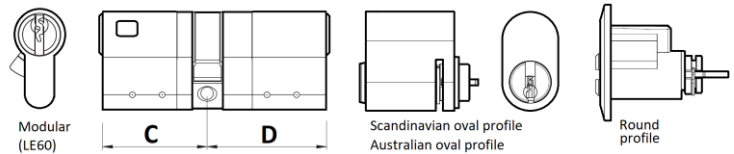
**Serie F9000 Padlocks V3**

Modelli	Universal SH30 Standard
	Universal SH30 Self-locking
	Universal SH50 Standard
	Universal SH50 Self-locking
	Security SH25
	Security SH50
	Security SH60
	Security SH110
	High security SH28
	High security SH50
	High security SH28 with protected shackle
	Very High Security SH27

art. 41VA6010001130MEX  
art. 41VA6000001130MEX  
art. 41VA6010001150MEX  
art. 41VA6000001150MEX

### Codici di prodotto

Il postfisso "EX" nel codice significa che l'articolo è conforme alla Direttiva ATEX



#### 4. Direttive applicabili

**2014/34/EU (ATEX)** - Sistemi di protezione idonei all'uso in atmosfera potenzialmente esplosiva  
**2014/53/EU (EMC)** - Apparecchiature radio  
**2011/65/UE (RoHS)** - Restrizione dell'uso determinate sostanze pericolose nelle AEE

#### 5. Norme di riferimento

ATEX	
<b>EN 60079-11 :2012</b>	Atmosfere esplosive - Parte 11: Apparecchiature con modo di protezione a sicurezza intrinseca "i"
<b>ISO/IEC 80079-34:2020</b>	Atmosfere esplosive - Parte 34: Applicazione dei sistemi di gestione per la qualità per la fabbricazione di prodotti Ex
<b>EN IEC 60079-0:2018</b>	Atmosfere esplosive - Parte 0: Apparecchiature - Prescrizioni generali
RED	
<b>Salute e sicurezza</b>	<b>2014/53/UE – Art. 3(1)(a)</b> <b>EN 62368-1:2020, EN 62479:2010, EN 50364 :2010</b>
<b>EMC</b>	<b>2014/53/UE – Art. 3(1)(b)</b> <b>ETSI EN 301 489-1 V2.2.3:2019 ETSI EN 301 489-3 V2.1.1:2019 ETSI EN 301 489-17 V3.2.4:2020</b>
<b>Uso dello spettro</b>	<b>2014/53/UE – Art. 3(2)</b> <b>ETSI EN 300 328 V2.2.2:2019 ETSI EN 300 330 V2.1.1:2017</b>
<b>Cybersecurity</b>	<b>2014/53/UE – Art. 3(3)</b> <b>EN18031-1:2024</b>
<b>Altro</b>	<b>2014/53/UE – Art. 3(3)</b> <b>//</b>
IP Code	
<b>F9000</b> cilindri (tutti I profili) e lucchetti	<b>EN 60529</b> <b>IP6X</b> - A tenuta di polvere fine con depressione di 20 mbar / 8h. <b>IPX6</b> - Potente getto d'acqua 100 l/min. a 100 kPa distanza 3 m. <b>IPX8</b> - Immersione nell'acqua a 5,0 m per 1 ora <b>IPX9</b> - Potente getto d'acqua a 80 °C a 8±10 MPa distanza 0,2 m
<b>F9000</b> chiave	<b>IP6X</b> - A tenuta di polvere fine con depressione di 20 mbar / 8h. <b>IPX5</b> - Getto d'acqua 12,5 l/min. a 30 kPa distanza 3 m.
IK Code	
<b>F9000</b> chiave	<b>EN 62262</b> <b>IK08</b> – Resistenza all'urto 5 J di una sfera d'acciaio Ø 50 mm da 1,5 kg.

#### 6. ATEX - Certificati CE

Numero	Data emissione	Organismo notificato	
0425 ATEX 004673-02 X	Esame CE di tipo (Allegato III)	2024-07-01	ICIM S.p.A. (NB0425)
0425 ATEX 001948-07	Garanzia della qualità (Allegato VII)	2024-02-06	ICIM S.p.A. (NB0425)

#### 7. ATEX - Classificazione

Ex II	2	G	Ex ib	IIB	T4	Gb
Per l'uso nelle industrie di superficie (escluse le miniere)	Il dispositivo è utile nella zona 1 e nella zona 2, mentre non è utile nella zona 0	Gas	Protezione a sicurezza intrinseca	Gruppo di gas Acido acetico, acetone, Ammoniaca, Butano, Cicloesano, Propano, Benzina (petrolio), Metano (naturale non minerario), Toluene, Xilene, Metano (alcol metilico), Propano-2-olo, Etere dietilico, Etanolo, Metiltilchetone (MEK), Propano-1-olo (alcol n-propilico), Etilene	Temperatura superficiale dell'apparecchiatura ≤120°C Questo parametro non deve essere confuso con l'intervallo di temperatura di utilizzo indicato nel manuale d'uso. (-20°C + +50°C)	Elevato livello di protezione: non è una fonte di accensione durante il normale funzionamento o in caso di malfunzionamento previsto.

#### 8. ATEX - Marcatura (indicativa)



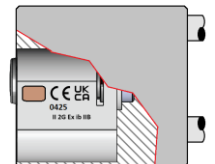
**Cilindri**

- Marchio ISEO come fabbricante
- CE e UKCA nr. Organismo (0425)
- Pittogramma ATEX Ex e classificazione ridotta



**Chiavi**

- Marchio ISEO come fabbricante
- CE e UKCA nr. Organismo (0425)
- Pittogramma ATEX Ex e classificazione ridotta



**Lucchetti**

- Marchio ISEO come fabbricante
- CE e UKCA nr. Organismo (0425)
- Pittogramma ATEX Ex e classificazione ridotta

## 9. Ulteriori informazioni

Documento	Scopo	Numero	Emissione	Emesso da
Fascicolo Tecnico	CE and UKCA	FT F9000 rev.16.2	2025-11-07	ISEO SERRATURE S.p.A.
Test report	ATEX (ITT)	IT/EUT/ExTR24.0001/00	2024-04-29	Eurofins Product Testing Italy S.r.l.
Test report	ATEX (ITT)	EPT.24.ATEX.0069/2323057	2024-04-29	Eurofins Product Testing Italy S.r.l.
Test report	ATEX (Coil analysis)	EPT.22.ATEX.0228/2223052	2022-12-22	Eurofins Product Testing Italy S.r.l.
Test report	ATEX (ITT)	IT/EUT /ExTR22.0005/00	2022-07-26	Eurofins Product Testing Italy S.r.l.
Test report	ATEX (ITT)	EPT.22.ATEX.0115/2223004	2022-07-26	Eurofins Product Testing Italy S.r.l.
Test report	ATEX (batteries)	AT24-0110265-01	2025-02-11	IMQ S.p.A.
Test report	RED	0703-3-23-SAFRT-0	2024-03-22	RADIOMOTIVE S.r.l
Test report	RED	0703-23-REDRT-1	2023-04-19	RADIOMOTIVE S.r.l
Test report	RED	0007-3-23-SAFTR-0	2023-06-09	RADIOMOTIVE S.r.l
Test report	RED	0007-4-23-EMCTR-0	2023-04-18	RADIOMOTIVE S.r.l
Test report	RED	0007-7b-23-MPETR 0	2023-04-18	RADIOMOTIVE S.r.l
Test report	RED	0007-7a-23-MPETR-0	2023-04-18	RADIOMOTIVE S.r.l
Test report	RED	0007-6-23-RADIOTR-0	2023-04-18	RADIOMOTIVE S.r.l
Test report	RED	0007-5-23-RADIOTR-0	2023-04-18	RADIOMOTIVE S.r.l
Test report	RED	0703-7b-23-MPETR-0	2024-03-19	RADIOMOTIVE S.r.l
Test report	RED	0703-7a-23-MPETR-0	2024-03-19	RADIOMOTIVE S.r.l
Test report	RED	0703-4-23-EMCTR-0	2024-03-19	RADIOMOTIVE S.r.l
Test report	RED	0703-6-23-RADIOTR-0	2024-03-19	RADIOMOTIVE S.r.l
Test report	RED	0703-23-SAFRT-0	2024-03-22	RADIOMOTIVE S.r.l
Test report	RED	EN18031 Conceptual test - (System)	2025-10-14	Security Pattern S.r.l.
Test report	RED	EN18031 Functional test - (System)	2025-10-17	Security Pattern S.r.l.
Test report	IP test (cylinder)	598-QL18-R01 IP 66, 68, 69	2018-06-25	QUALILAB S.r.l.
Test report	IP test (key)	850-QL17-R01 IP X5	2017-09-04	QUALILAB S.r.l.
Test report	IP test (key)	850-QL17-R02 IP 6X	2017-09-04	QUALILAB S.r.l.
Test report	IK test (key)	850-QL17-R03 IK 08	2017-09-04	QUALILAB S.r.l.
Test report	RoHS	CH.23.05.30.07-01	2023-06-29	APAVE ITALIA CPM S.r.l.
Test report	RoHS	CH.25.02.13.02-02	2025-03-20	APAVE ITALIA CPM S.r.l.

## 10. Prescrizioni particolari

**Vedere manuali di istruzioni fornito con il prodotto e disponibili anche su [www.iseo.com](http://www.iseo.com)**

- Utilizzare solo batterie al litio CR2450 (MURATA, PANASONIC, VARTA)
- La sostituzione della pila non deve essere eseguita in locali con atmosfera potenzialmente esplosiva.
- L'utente deve prendere precauzioni affinché non si verifichino scariche dovute al potenziale deposito di cariche elettrostatiche.
- La programmazione e la validazione della chiave non devono avvenire in una atmosfera potenzialmente esplosiva

**Dichiarazione SCIP disponibile su <https://www.iseo.com/en/Support/Download>**



# DECLARACIÓN UE DE CONFORMIDAD nr. 51



## 1. Fabricante

**ISEO Serrature s.p.A.**

Via S. Girolamo, 13 - IT 25055 - Pisogne (BS)

## 2. Identificación del producto

**Cilindro mecatrónicos**

## 3. Código de identificación único del producto-tipo

**Series F9000 Cylinders V3**

<b>Modelos</b>	Standard
	Standard Free Cam
	Double
	Double Free Cam
	Knob
	Half
	Oval Scandinavian
	External rim nickel-plated, diam. 35 mm, U.S. type
	External rim nickel-plated, diam. 40 mm
	Round threaded nickel-plated
	Threaded nickel-plated M26, with signalling microswitch

**Series F9000 keys (sin buzzer)**

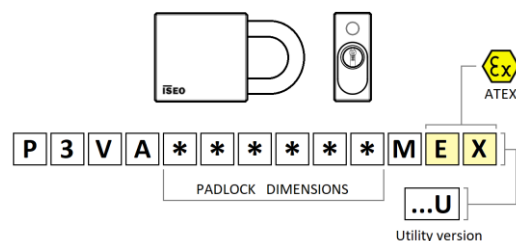
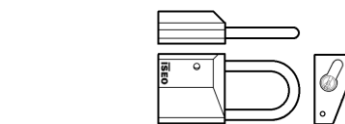
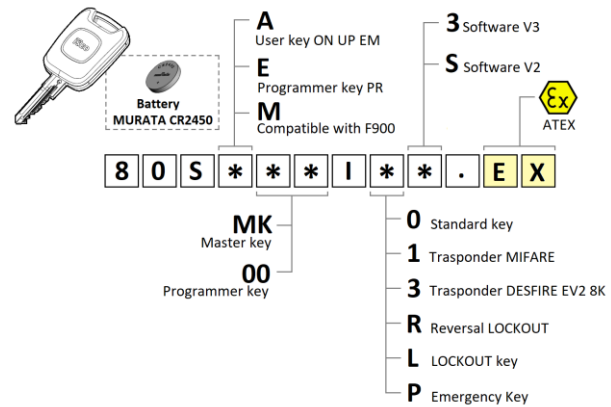
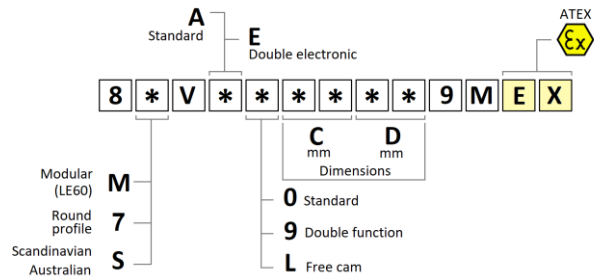
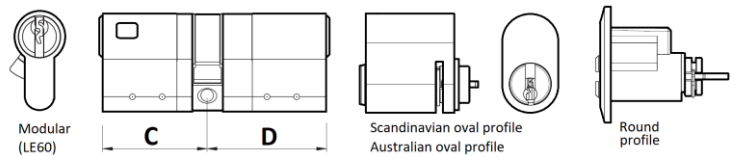
<b>Modelos</b>	ON User Key
	ON User key with RFID transponder
	UP User Key
	UP User key with RFID transponder
	PR Programmer Key
	EM Emergency Key
	LO Lockout Key
	RL Reversal Lockout Key

**Series F9000 Padlocks V3**

<b>Modelos</b>	Universal SH30 Standard	art. 41VA6010001130MEX
	Universal SH30 Self-locking	art. 41VA6000001130MEX
	Universal SH50 Standard	art. 41VA6010001150MEX
	Universal SH50 Self-locking	art. 41VA6000001150MEX
	Security SH25	
	Security SH50	
	Security SH60	
	Security SH110	
	High security SH28	
	High security SH50	
	High security SH28 with protected shackle	
	Very High Security SH27	

### Códigos de producto

El postfijo «EX» en el código significa que el producto es conforme a la Directiva ATEX



#### 4. Directivas aplicables

**2014/34/EU (ATEX)** - Sistemas de protección para uso en atmosferas potencialmente explosivas  
**2014/53/EU (EMC)** - Equipos radioeléctricos.  
**2011/65/UE (RoHS)** - Restricciones a la utilización de determinadas sustancias peligrosas en AEE

#### 5. Estándares de referencia

##### ATEX Directive

<b>EN 60079-11 :2012</b>	Atmósferas explosivas. Parte 11: Protección del equipo por seguridad intrínseca "i".
<b>ISO/IEC 80079-34:2020</b>	Atmósferas explosivas. Parte 34: Aplicación de sistemas de gestión de calidad para la fabricación de productos Ex
<b>EN IEC 60079-0:2018</b>	Atmósferas explosivas. Parte 0: Equipo. Requisitos generales

##### RED Directive

<b>Salud y seguridad</b>	<b>2014/53/UE – Art. 3(1)(a)</b>	<b>EN 62368-1:2020, EN 62479:2010, EN 50364 :2010</b>
<b>EMC</b>	<b>2014/53/UE – Art. 3(1)(b)</b>	<b>ETSI EN 301 489-1 V2.2.3:2019 ETSI EN 301 489-3 V2.1.1:2019 ETSI EN 301 489-17 V3.2.4:2020</b>
<b>Uso del espectro</b>	<b>2014/53/UE – Art. 3(2)</b>	<b>ETSI EN 300 328 V2.2.2:2019 ETSI EN 300 330 V2.1.1:2017</b>
<b>Cybersecurity</b>	<b>2014/53/UE – Art. 3(3)</b>	<b>EN18031-1:2024</b>
<b>Otro</b>	<b>2014/53/UE – Art. 3(3)</b>	<b>//</b>

##### IP Código

<b>F9000</b> cilindros (todos los perfiles) y candados	<b>IP6X</b> - Estanco al polvo con vacío de 20 mbar / 8 horas <b>IPX6</b> - Potente chorro de agua 100 l/min. a 100 kPa distancia 3 m. <b>IPX8</b> - Inmersión en agua 5,0 m durante 1 hora <b>IPX9</b> - Potente chorro de agua 80 °C a 8÷10 MPa distancia 0,2 m.
<b>F9000</b> llave	<b>IP6X</b> - Estanco al polvo con vacío de 20 mbar / 8 horas <b>IPX5</b> - Chorro de agua 12,5 l/min. a 30 kPa distancia 3 m

##### IK Código

<b>F9000</b> llave	<b>IK08</b> - Impacto 5 J por una esfera de acero Ø 50 mm 1,5 kg.
--------------------	-------------------------------------------------------------------

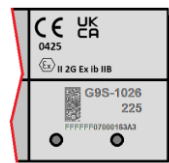
#### 6. ATEX - EC certificados

Nombre	Emisión actual	Organismo notificado
0425 ATEX 004673-02 X Examen UE de tipo (Anexo III)	2024-07-01	ICIM S.p.A. (NB0425)
0425 ATEX 001948-07 Aseguramiento de la calidad (Anexo VII)	2024-02-06	ICIM S.p.A. (NB0425)

#### 7. ATEX - Clasificación

<b>Ex II</b> Para uso en industrias de superficie (excluidas las minas)	<b>2</b> El dispositivo es útil en las zonas 1 y 2, pero no en la zona 0.	<b>G</b> Gas	<b>Ex ib</b> Protección de seguridad intrínseca	<b>IIB</b> Grupo de gas Ácido acético, Acetona, Amoníaco, Butano, Ciclohexano, Propano, Gasolina (petróleo), Metano (natural no minero) Tolueno, Xileno, Metanol (alcohol metílico), Propano-2-ol. Éter dietílico Etanol, Metiltetacetona (MEK), Propano-1-ol (alcohol n-propílico), Etileno	<b>T4</b> Temperatura de la superficie del equipo ≤120°C  Este parámetro no debe confundirse con el rango de temperatura de uso indicado en el manual de usuario (-20°C + +50°C)	<b>Gb</b> Alto nivel de protección: no es una fuente de ignición en funcionamiento normal o durante un mal funcionamiento previsto.
----------------------------------------------------------------------------	------------------------------------------------------------------------------	-----------------	----------------------------------------------------	----------------------------------------------------------------------------------------------------------------------------------------------------------------------------------------------------------------------------------------------------------------------------------------------------	-------------------------------------------------------------------------------------------------------------------------------------------------------------------------------------------	----------------------------------------------------------------------------------------------------------------------------------------

#### 8. ATEX – Marcado (indicativo)



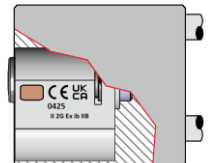
##### Cilindros

- Marca ISEO como fabricante
- Marca CE y UKCA más el nº 0425
- Pictograma ATEX Ex y clasificación reducida



##### llaves

- Marca ISEO como fabricante
- Marca CE y UKCA más el nº 0425
- Pictograma ATEX Ex y clasificación reducida



##### Candados

- Marca ISEO como fabricante
- Marca CE y UKCA más el nº 0425
- Pictograma ATEX Ex y clasificación reducida

## 9. Otra información

Documento	Ámbito	Número	Emisión	Emitido por
Dossier técnico	CE and UKCA	FT F9000 rev.16.2	2025-11-07	ISEO SERRATURE S.p.A.
Test report	ATEX (ITT)	IT/EUT/ExTR24.0001/00	2024-04-29	Eurofins Product Testing Italy S.r.l.
Test report	ATEX (ITT)	EPT.24.ATEX.0069/2323057	2024-04-29	Eurofins Product Testing Italy S.r.l.
Test report	ATEX (Coil analysis)	EPT.22.ATEX.0228/2223052	2022-12-22	Eurofins Product Testing Italy S.r.l.
Test report	ATEX (ITT)	IT/EUT /ExTR22.0005/00	2022-07-26	Eurofins Product Testing Italy S.r.l.
Test report	ATEX (ITT)	EPT.22.ATEX.0115/2223004	2022-07-26	Eurofins Product Testing Italy S.r.l.
Test report	ATEX (batteries)	AT24-0110265-01	2025-02-11	IMQ S.p.A.
Test report	RED	0703-3-23-SAFRT-0	2024-03-22	RADIOMOTIVE S.r.l
Test report	RED	0703-23-REDRT-1	2023-04-19	RADIOMOTIVE S.r.l
Test report	RED	0007-3-23-SAFTR-0	2023-06-09	RADIOMOTIVE S.r.l
Test report	RED	0007-4-23-EMCTR-0	2023-04-18	RADIOMOTIVE S.r.l
Test report	RED	0007-7b-23-MPETR 0	2023-04-18	RADIOMOTIVE S.r.l
Test report	RED	0007-7a-23-MPETR-0	2023-04-18	RADIOMOTIVE S.r.l
Test report	RED	0007-6-23-RADIOTR-0	2023-04-18	RADIOMOTIVE S.r.l
Test report	RED	0007-5-23-RADIOTR-0	2023-04-18	RADIOMOTIVE S.r.l
Test report	RED	0703-7b-23-MPETR-0	2024-03-19	RADIOMOTIVE S.r.l
Test report	RED	0703-7a-23-MPETR-0	2024-03-19	RADIOMOTIVE S.r.l
Test report	RED	0703-4-23-EMCTR-0	2024-03-19	RADIOMOTIVE S.r.l
Test report	RED	0703-6-23-RADIOTR-0	2024-03-19	RADIOMOTIVE S.r.l
Test report	RED	0703-23-SAFRT-0	2024-03-22	RADIOMOTIVE S.r.l
Test report	RED	EN18031 Functional test r.1.1	2025-10-17	Security Pattern S.r.l.
Test report	RED	EN18031 Conceptual test - (System)	2025-10-14	Security Pattern S.r.l.
Test report	RED	EN18031 Functional test - (System)	2025-10-17	Security Pattern S.r.l.
Test report	IP test (key)	850-QL17-R01 IP X5	2017-09-04	QUALILAB S.r.l.
Test report	IP test (key)	850-QL17-R02 IP 6X	2017-09-04	QUALILAB S.r.l.
Test report	IK test (key)	850-QL17-R03 IK 08	2017-09-04	QUALILAB S.r.l.
Test report	RoHS	CH.23.05.30.07-01	2023-06-29	APAVE ITALIA CPM S.r.l.
Test report	RoHS	CH.25.02.13.02-02	2025-03-20	APAVE ITALIA CPM S.r.l.

## 10. Requisitos especiales

Ver los manuales de usuario suministrados con el producto y disponibles en [www.iseo.com](http://www.iseo.com)

- Utilizar sólo batería de litio CR2450 (MURATA, PANASONIC, VARTA)
- La batería no debe sustituirse en recintos con atmósfera potencialmente explosiva.
- El usuario debe tomar precauciones para que no se produzcan descargas debidas a la posible deposición de cargas electrostáticas.
- La programación y la validación de las llaves no deben realizarse en una atmósfera potencialmente explosiva

Declaración SCIP disponible en <https://www.iseo.com/en/Support/Download>



# DÉCLARATION UE DE CONFORMITÉ nr. 51

**FR**  
France

## 1. Fabricant

**ISEO Serrature s.p.A.**  
Via S. Girolamo, 13 - IT 25055 - Pisogne (BS)

## 2. Identification du produit

### Cylindre mécatronique

## 3. Code d'identification unique du produit type

### Série **F9000 Cylinders V3**

Modèles	
Standard	
Standard Free Cam	
Double	
Double Free Cam	
Knob	
Half	
Oval Scandinavian	
External rim nickel-plated, diam. 35 mm, U.S. type	
External rim nickel-plated, diam. 40 mm	
Round threaded nickel-plated	
Threaded nickel-plated M26, with signalling microswitch	

### Série **F9000 keys (sans buzzer)**

Modèles	
ON User Key	
ON User key with RFID transponder	
UP User Key	
UP User key with RFID transponder	
PR Programmer Key	
EM Emergency Key	
LO Lockout Key	
RL Reversal Lockout Key	

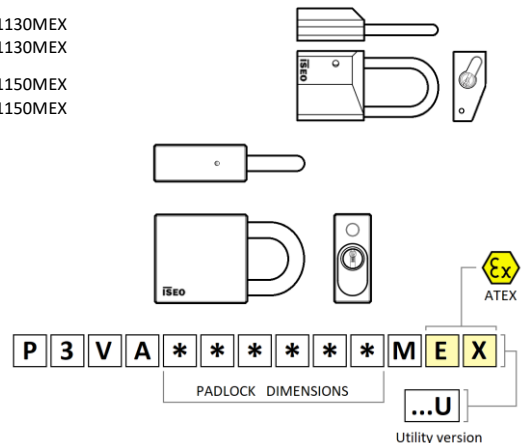
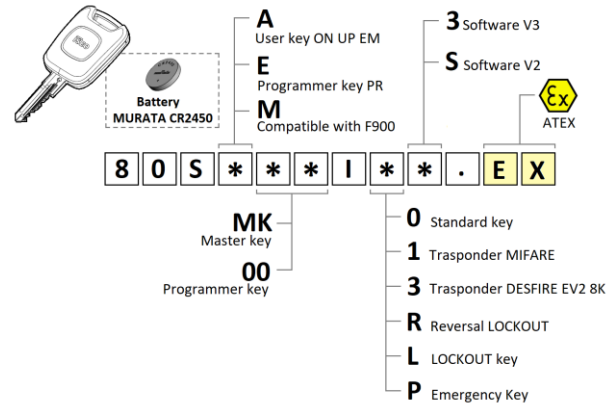
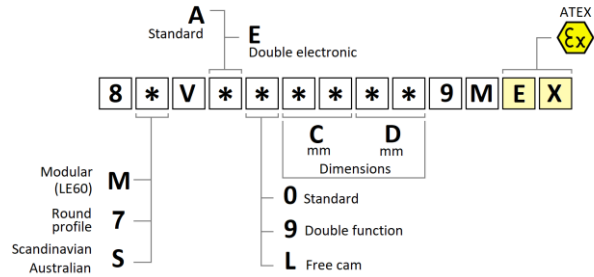
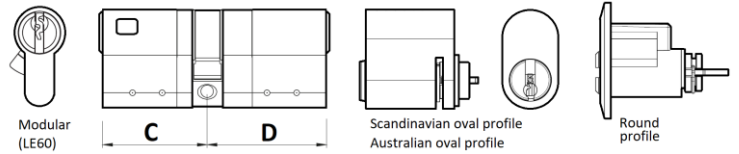
### Série **F9000 Padlocks V3**

Modèles	
Universal SH30 Standard	
Universal SH30 Self-locking	
Universal SH50 Standard	
Universal SH50 Self-locking	
Security SH25	
Security SH50	
Security SH60	
Security SH110	
High security SH28	
High security SH50	
High security SH28 with protected shackle	
Very High Security SH27	

art. 41VA6010001130MEX  
art. 41VA6000001130MEX  
art. 41VA6010001150MEX  
art. 41VA6000001150MEX

### Codes produits

Le postfixe « EX » dans le code signifie que l'article est conforme à la directive ATEX.



#### 4. Directives applicables

**2014/34/EU (ATEX)** - Systèmes de protection destinés à être utilisés en atmosphères explosibles  
**2014/53/EU (EMC)** - Équipements radioélectriques  
**2011/65/UE (RoHS)** - Limitation de l'utilisation de certaines substances dangereuses en EEE

#### 5. Normes de référence

ATEX Directive	
<b>EN 60079-11 :2012</b>	Atmosphères explosives - Partie 11 : protection de l'équipement par sécurité intrinsèque "i"
<b>ISO/IEC 80079-34:2020</b>	Atmosphères explosives - Partie 34 : application de systèmes de management de la qualité pour la fabrication des produits Ex
<b>EN IEC 60079-0:2018</b>	Atmosphères explosives - Partie 0 : matériel - Exigences générales
RED Directive	
<b>Santé et sécurité</b>	<b>2014/53/UE – Art. 3(1)(a)</b> <b>EN 62368-1:2020, EN 62479:2010, EN 50364 :2010</b>
<b>EMC</b>	<b>2014/53/UE – Art. 3(1)(b)</b> <b>ETSI EN 301 489-1 V2.2.3:2019 ETSI EN 301 489-3 V2.1.1:2019 ETSI EN 301 489-17 V3.2.4:2020</b>
<b>Utilisation du spectre</b>	<b>2014/53/UE – Art. 3(2)</b> <b>ETSI EN 300 328 V2.2.2:2019 ETSI EN 300 330 V2.1.1:2017</b>
<b>Cybersecurity</b>	<b>2014/53/UE – Art. 3(3)</b> <b>EN18031-1:2024</b>
<b>Autre</b>	<b>2014/53/UE – Art. 3(3)</b> //
IP Code	
<b>F9000</b> cylindres (tous les profils) e cadenas	<b>EN 60529</b> <b>IP6X</b> - Étanchéité à la poussière avec un vide de 20 mbar / 8 h. <b>IPX6</b> - Jet d'eau puissant 100 l/min. à 100 kPa distance 3 m. <b>IPX8</b> - Immersion dans l'eau à 5,0 m pendant 1 heure <b>IPX9</b> - Jet d'eau puissant à 80 °C à 8±10 MPa distance 0,2 m.
<b>F9000</b> clé	<b>IP6X</b> - Étanchéité à la poussière avec un vide de 20 mbar / 8 h. <b>IPX5</b> - Jet d'eau 12,5 l/min. à 30 kPa distance 3 m.
IK Code	
<b>F9000</b> clé	<b>EN 62262</b> <b>IK08</b> – Impact 5 Joule d'une sphère d'acier Ø 50 mm 1,5 kg.

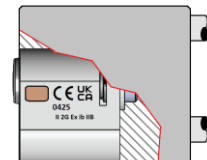
#### 6. ATEX - EC certificats

Numéro	Émission	Organisme notifié
0425 ATEX 004673-02 X	Examen UE de type (Annex III)	ICIM S.p.A. (NB0425)
0425 ATEX 001948-07	Assurance de la qualité (Annex VII)	ICIM S.p.A. (NB0425)

#### 7. ATEX - Classification

Ex II	2	G	Ex ib	IIB	T4	Gb
Utilisation dans les industries de surface (à l'exclusion des mines)	Le dispositif est utile dans les zones 1 et 2, mais n'est pas utile dans la zone 0.	Gas	Protection par sécurité intrinsèque	Groupe de gaz Acide acétique, acétone, Ammoniacque, Butane, Cyclohexane, Propane, essence (pétrole), Méthane (naturel non minier) Toluène, Xylène, Méthanol (alcool méthylique), Propane-2-ol, Éther di-éthylique, Éthanol, Méthyléthylcétone (MEX), Propane-1-ol (alcool n-propylique), Éthylène	Température de surface de l'équipement ≤120°C  Ce paramètre ne doit pas être confondu avec la plage de température d'utilisation indiquée dans le manuel d'utilisation. (-20°C + +50°C)	Niveau de protection élevé : pas de source d'inflammation normale ou en cas de dysfonctionnement prévu

#### 8. ATEX - Marquage (indicative)



##### Cylindres

- Marque ISEO en tant que fabricant
- Marque CE et UKCA nr. Organisme (0425)
- Pictogramme ATEX Ex et classification réduite

##### Clés

- Marque ISEO en tant que fabricant
- Marque CE et UKCA nr. Organisme (0425)
- Pictogramme ATEX Ex et classification réduite

##### Cadenas

- Marque ISEO en tant que fabricant
- Marque CE et UKCA nr. Organisme (0425)
- Pictogramme ATEX Ex et classification réduite

## 9. Informations complémentaires

Document	Portée	Numéro	Émission	Délivré par
Fiche technique	CE and UKCA	FT F9000 rev.16.2	2025-11-07	ISEO SERRATURE S.p.A.
Test report	ATEX (ITT)	IT/EUT/ExTR24.0001/00	2024-04-29	Eurofins Product Testing Italy S.r.l.
Test report	ATEX (ITT)	EPT.24.ATEX.0069/2323057	2024-04-29	Eurofins Product Testing Italy S.r.l.
Test report	ATEX (Coil analysis)	EPT.22.ATEX.0228/2223052	2022-12-22	Eurofins Product Testing Italy S.r.l.
Test report	ATEX (ITT)	IT/EUT /ExTR22.0005/00	2022-07-26	Eurofins Product Testing Italy S.r.l.
Test report	ATEX (ITT)	EPT.22.ATEX.0115/2223004	2022-07-26	Eurofins Product Testing Italy S.r.l.
Test report	ATEX (batteries)	AT24-0110265-01	2025-02-11	IMQ S.p.A.
Test report	RED	0703-3-23-SAFRT-0	2024-03-22	RADIOMOTIVE S.r.l
Test report	RED	0703-23-REDRT-1	2023-04-19	RADIOMOTIVE S.r.l
Test report	RED	0007-3-23-SAFTR-0	2023-06-09	RADIOMOTIVE S.r.l
Test report	RED	0007-4-23-EMCTR-0	2023-04-18	RADIOMOTIVE S.r.l
Test report	RED	0007-7b-23-MPETR 0	2023-04-18	RADIOMOTIVE S.r.l
Test report	RED	0007-7a-23-MPETR-0	2023-04-18	RADIOMOTIVE S.r.l
Test report	RED	0007-6-23-RADIOTR-0	2023-04-18	RADIOMOTIVE S.r.l
Test report	RED	0007-5-23-RADIOTR-0	2023-04-18	RADIOMOTIVE S.r.l
Test report	RED	0703-7b-23-MPETR-0	2024-03-19	RADIOMOTIVE S.r.l
Test report	RED	0703-7a-23-MPETR-0	2024-03-19	RADIOMOTIVE S.r.l
Test report	RED	0703-4-23-EMCTR-0	2024-03-19	RADIOMOTIVE S.r.l
Test report	RED	0703-6-23-RADIOTR-0	2024-03-19	RADIOMOTIVE S.r.l
Test report	RED	0703-23-SAFRT-0	2024-03-22	RADIOMOTIVE S.r.l
Test report	RED	EN18031 Conceptual test - (System)	2025-10-14	Security Pattern S.r.l.
Test report	RED	EN18031 Functional test - (System)	2025-10-17	Security Pattern S.r.l.
Test report	IP test (cylinder)	598-QL18-R01 IP 66, 68, 69	2018-06-25	QUALILAB S.r.l.
Test report	IP test (key)	850-QL17-R01 IP X5	2017-09-04	QUALILAB S.r.l.
Test report	IP test (key)	850-QL17-R02 IP 6X	2017-09-04	QUALILAB S.r.l.
Test report	IK test (key)	850-QL17-R03 IK 08	2017-09-04	QUALILAB S.r.l.
Test report	RoHS	CH.23.05.30.07-01	2023-06-29	APAVE ITALIA CPM S.r.l.
Test report	RoHS	CH.25.02.13.02-02	2025-03-20	APAVE ITALIA CPM S.r.l.

## 10. Prescriptions spéciales

Voir les manuels d'utilisation fournis avec le produit et disponibles à [www.iseo.com](http://www.iseo.com)

- Utiliser uniquement la pile au lithium CR2450 (MURATA, PANASONIC, VARTA).
- La pile ne doit pas être remplacée dans les locaux à atmosphère potentiellement explosive.
- L'utilisateur doit prendre des précautions pour s'assurer qu'aucune décharge ne se produit en raison du dépôt potentiel de charges électrostatiques.
- La programmation et la validation des clés ne doivent pas avoir lieu dans une atmosphère potentiellement explosive

La déclaration du SCIP est disponible sur <https://www.iseo.com/en/Support/Download>



# KONFORMITÄTSERKLÄRUNG nr. 51

**DE**  
Deutschland

## 1. Hersteller

**ISEO Serrature s.p.A.**  
Via S. Girolamo, 13 - IT 25055 - Pisogne (BS)

## 2. Eindeutiger Identifikation Kode des Produktes

### Mechatronische Schließzylinder

## 3. Typennummer, die eine Identifizierung des Produktes

### Série **F9000 Cylinders V3**

<b>Modèles</b>	Standard
	Standard Free Cam
	Double
	Double Free Cam
	Knob
	Half
	Oval Scandinavian
	External rim nickel-plated, diam. 35 mm, U.S. type
	External rim nickel-plated, diam. 40 mm
	Round threaded nickel-plated
	Threaded nickel-plated M26, with signalling microswitch

### Série **F9000 keys (mit buzzer)**

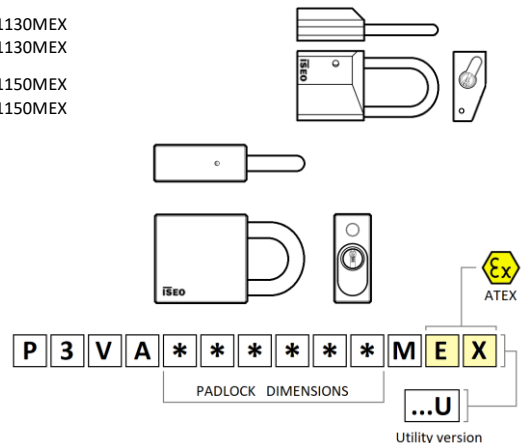
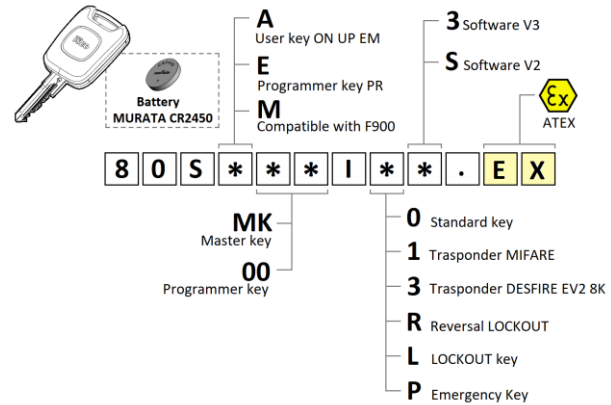
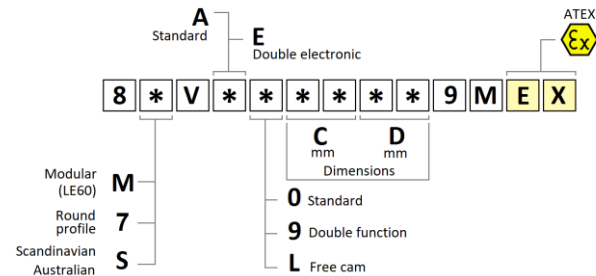
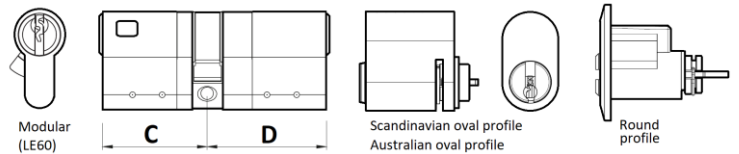
<b>Modèles</b>	ON User Key
	ON User key with RFID transponder
	UP User Key
	UP User key with RFID transponder
	PR Programmer Key
	EM Emergency Key
	LO Lockout Key
	RL Reversal Lockout Key

### Série **F9000 Padlocks V3**

<b>Modell</b>	Universal SH30 Standard	art. 41VA6010001130MEX
	Universal SH30 Self-locking	art. 41VA6000001130MEX
	Universal SH50 Standard	art. 41VA6010001150MEX
	Universal SH50 Self-locking	art. 41VA6000001150MEX
	Security SH25	
	Security SH50	
	Security SH60	
	Security SH110	
	High security SH28	
	High security SH50	
	High security SH28 with protected shackle	
	Very High Security SH27	

### Produktcodes

Das Postfix „EX“ im Code bedeutet, dass der Artikel die ATEX-Richtlinie erfüllt.



#### 4. Anwendbare Richtlinien

**2014/34/EU (ATEX)** - Elektromagnetische Verträglichkeit  
**2014/30/EU (EMC)** - Elektromagnetische Verträglichkeit  
**2011/65/UE (RoHS)** - Beschränkung der Verwendung bestimmter gefährlicher Stoffe in EEE

#### 5. Referenzstandards

##### ATEX-Richtlinie

<b>EN 60079-11 :2012</b>	Explosionsgefährdete Bereiche - Teil 11: Geräteschutz durch Eigensicherheit "i"
<b>ISO/IEC 80079-34:2020</b>	Explosionsgefährdete Bereiche - Teil 34: Anwendung von Qualitätsmanagementsystemen für die Herstellung von Ex-Produkten
<b>EN IEC 60079-0:2018</b>	Explosionsgefährdete Bereiche - Teil 0: Betriebsmittel - Allgemeine Anforderungen

##### RED-Richtlinie

<b>Gesundheit und Sicherheit</b>	<b>2014/53/UE – Art. 3(1)(a)</b>	<b>EN 62368-1:2020, EN 62479:2010, EN 50364 :2010</b>
<b>EMC</b>	<b>2014/53/UE – Art. 3(1)(b)</b>	<b>ETSI EN 301 489-1 V2.2.3:2019 ETSI EN 301 489-3 V2.1.1:2019 ETSI EN 301 489-17 V3.2.4:2020</b>
<b>Spektrum</b>	<b>2014/53/UE – Art. 3(2)</b>	<b>ETSI EN 300 328 V2.2.2:2019 ETSI EN 300 330 V2.1.1:2017</b>
<b>Cybersecurity</b>	<b>2014/53/UE – Art. 3(3)</b>	<b>EN18031-1:2024</b>
<b>Andere</b>	<b>2014/53/UE – Art. 3(3)</b>	<b>//</b>

##### IP Code

<b>F9000</b> Zylinder (alle Profile) und Vorhängeschlösser	<b>EN 60529</b>
	<b>IP6X</b> - staubdicht bei einem Unterdruck von 20 mbar / 8 Stunden <b>IPX6</b> - Starker Wasserstrahl 100 l/min. bei 100 kPa Entfernung 3 m. <b>IPX8</b> - Eintauchen in Wasser 5,0 m für 1 Stunde <b>IPX9</b> - Leistungsstarker Wasserstrahl 80 °C, 8÷10 MPa, Abstand 0,2 m.
<b>F9000</b> Schlüssel	<b>IP6X</b> - staubdicht bei einem Unterdruck von 20 mbar / 8 Stunden <b>IPX5</b> - Wasserstrahl 12,5 l/min. bei 30 kPa Entfernung 3 m.

##### IK Code

<b>F9000</b> Schlüssel	<b>EN 62262</b>
	<b>IK08</b> - Schlagfestigkeit 5 J durch eine Stahlkugel Ø 50 mm 1,5 kg.

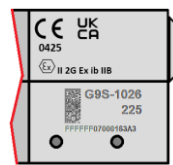
#### 6. ATEX - EC-Zertifikate

Nummer	Datum	Notifizierte Stelle
0425 ATEX 004673-02 X	2024-07-01	ICIM S.p.A. (NB0425)
0425 ATEX 001948-07	2024-02-06	ICIM S.p.A. (NB0425)

#### 7. ATEX - Klassifizierung

Ex II	2	G	Ex ib	IIB	T4	Gb
Für den Einsatz in der Oberflächenindustrie (außer im Bergbau)	Das Gerät ist in Zone 1 und Zone 2 nützlich, während es in Zone 0 nicht nützlich ist.	Gas	Eigensicherer Schutz	Gruppe von Gas Essigsäure, Aceton, Ammoniak, Butan, Cyclohexan, Propan, Ottokraftstoff (Benzin), Methan (natürliches Nicht-Bergbau), Toluol, Xylol, Methanol (Methylalkohol), Propan-2-ol, Di-Ethyl-Ether Ethanol, Methyläthylketon (MEK), Propan-1-ol (n-Propylalkohol), Ethylen	Oberflächentemperatur des Geräts ≤120°C  Dieser Parameter ist nicht zu verwechseln mit dem im Benutzerhandbuch angegebenen Gebrauchstemperaturbereich. (-20°C + +50°C)	Hohes Schutzniveau: keine Zündquelle im Normalbetrieb oder bei zu erwartender Störung

#### 8. ATEX - Markierung (indikativ)



**Zylinder**

Marke ISEO als Hersteller  
CE- und UKCA-Zeichen und Nummer (0425)  
ATEX-Piktogramm Ex und reduzierte Klassifizierung



**Schlüssel**

Marke ISEO als Hersteller  
CE- und UKCA-Zeichen und Nummer (0425)  
ATEX-Piktogramm Ex und reduzierte Klassifizierung



**Vorhängeschlösser**

Marke ISEO als Hersteller  
CE- und UKCA-Zeichen und Nummer (0425)  
ATEX-Piktogramm Ex und reduzierte Klassifizierung

## 9. Ergänzende Informationen

Dokument	Umfang	Nummer	Datum	Lieferung par
Dossier	CE and UKCA	FT F9000 rev.16.2	2025-11-07	ISEO SERRATURE S.p.A.
Test report	ATEX (ITT)	IT/EUT/ExTR24.0001/00	2024-04-29	Eurofins Product Testing Italy S.r.l.
Test report	ATEX (ITT)	EPT.24.ATEX.0069/2323057	2024-04-29	Eurofins Product Testing Italy S.r.l.
Test report	ATEX (Coil analysis)	EPT.22.ATEX.0228/2223052	2022-12-22	Eurofins Product Testing Italy S.r.l.
Test report	ATEX (ITT)	IT/EUT /ExTR22.0005/00	2022-07-26	Eurofins Product Testing Italy S.r.l.
Test report	ATEX (ITT)	EPT.22.ATEX.0115/2223004	2022-07-26	Eurofins Product Testing Italy S.r.l.
Test report	ATEX (batteries)	AT24-0110265-01	2025-02-11	IMQ S.p.A.
Test report	RED	0703-3-23-SAFRT-0	2024-03-22	RADIOMOTIVE S.r.l
Test report	RED	0703-23-REDRT-1	2023-04-19	RADIOMOTIVE S.r.l
Test report	RED	0007-3-23-SAFTR-0	2023-06-09	RADIOMOTIVE S.r.l
Test report	RED	0007-4-23-EMCTR-0	2023-04-18	RADIOMOTIVE S.r.l
Test report	RED	0007-7b-23-MPETR 0	2023-04-18	RADIOMOTIVE S.r.l
Test report	RED	0007-7a-23-MPETR-0	2023-04-18	RADIOMOTIVE S.r.l
Test report	RED	0007-6-23-RADIOTR-0	2023-04-18	RADIOMOTIVE S.r.l
Test report	RED	0007-5-23-RADIOTR-0	2023-04-18	RADIOMOTIVE S.r.l
Test report	RED	0703-7b-23-MPETR-0	2024-03-19	RADIOMOTIVE S.r.l
Test report	RED	0703-7a-23-MPETR-0	2024-03-19	RADIOMOTIVE S.r.l
Test report	RED	0703-4-23-EMCTR-0	2024-03-19	RADIOMOTIVE S.r.l
Test report	RED	0703-6-23-RADIOTR-0	2024-03-19	RADIOMOTIVE S.r.l
Test report	RED	0703-23-SAFRT-0	2024-03-22	RADIOMOTIVE S.r.l
Test report	RED	EN18031 Conceptual test - (System)	2025-10-14	Security Pattern S.r.l.
Test report	RED	EN18031 Functional test - (System)	2025-10-17	Security Pattern S.r.l.
Test report	IP test (cylinder)	598-QL18-R01 IP 66, 68, 69	2018-06-25	QUALILAB S.r.l.
Test report	IP test (key)	850-QL17-R01 IP X5	2017-09-04	QUALILAB S.r.l.
Test report	IP test (key)	850-QL17-R02 IP 6X	2017-09-04	QUALILAB S.r.l.
Test report	IK test (key)	850-QL17-R03 IK 08	2017-09-04	QUALILAB S.r.l.
Test report	RoHS	CH.23.05.30.07-01	2023-06-29	APAVE ITALIA CPM S.r.l.
Test report	RoHS	CH.25.02.13.02-02	2025-03-20	APAVE ITALIA CPM S.r.l.

## 10. Besondere Anforderungen

**Siehe Benutzerhandbücher, die mit dem Produkt geliefert wurden und auch unter [www.iseo.com](http://www.iseo.com) verfügbar sind.**

- Nur Lithiumbatterie CR2450 (MURATA, PANASONIC, VARTA) verwenden
- Die Batterie darf nicht in Räumen mit potenziell explosionsgefährdeter Atmosphäre gewechselt werden.
- Der Benutzer muss Vorkehrungen treffen, um sicherzustellen, dass keine Entladungen aufgrund möglicher elektrostatischer Aufladung auftreten.
- Das Programmieren und Validieren von Schlüsseln darf nicht in einer potenziell explosiven Atmosphäre stattfinden.

**SCIP-Erklärung verfügbar unter <https://www.iseo.com/en/Support/Download>**



## DEKLARACJA ZGODNOŚCI UE nr. 51

**PL**  
Poland

### 1. Producent

**ISEO Serrature s.p.A.**

Via S. Girolamo, 13 - IT 25055 - Pisogne (BS)

### 2. Identyfikacja produktu

**Wkładki bębnowe mechatroniczne**

### 3. Kody identyfikacyjne

**Seria F9000 Cylindry V3**

Modele	Standard
	Standard Free Cam
	Double
	Double Free Cam
	Knob
	Half
	Oval Scandinavian
	External rim nickel-plated, diam. 35 mm, U.S. type
	External rim nickel-plated, diam. 40 mm
	Round threaded nickel-plated
	Threaded nickel-plated M26, with signalling microswitch

**Seria F9000 przyciski (bez brzęczyka)**

Modele	ON User Key
	ON User key with RFID transponder
	UP User Key
	UP User key with RFID transponder
	PR Programmer Key
	EM Emergency Key
	LO Lockout Key
	RL Reversal Lockout Key

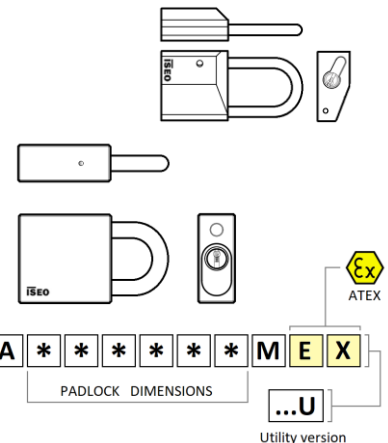
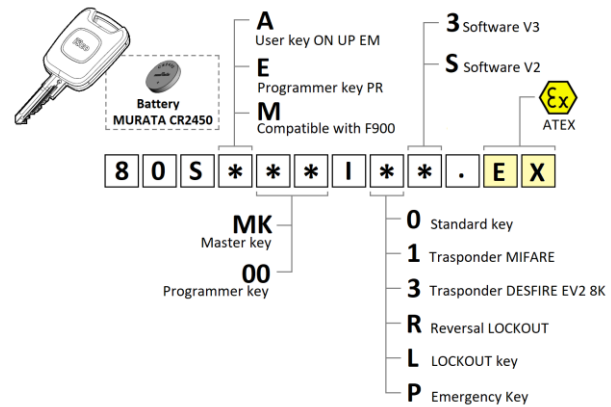
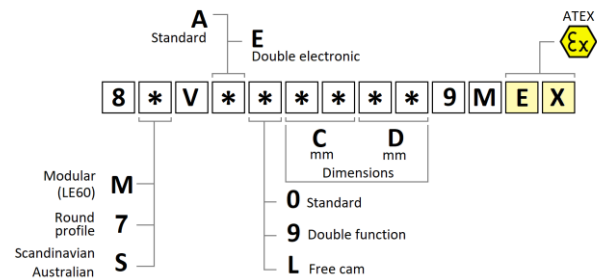
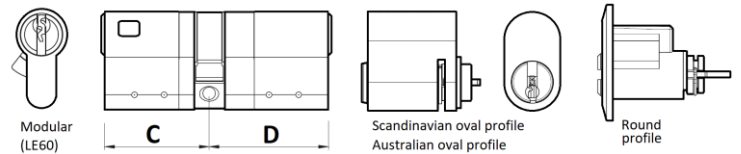
**Seria F9000 Kłódki V3**

Modele	Universal SH30 Standard
	Universal SH30 Self-locking
	Universal SH50 Standard
	Universal SH50 Self-locking
	Security SH25
	Security SH50
	Security SH60
	Security SH110
	High security SH28
	High security SH50
	High security SH28 with protected shackle
	Very High Security SH27

art. 41VA6010001130MEX  
art. 41VA6000001130MEX  
art. 41VA6010001150MEX  
art. 41VA6000001150MEX

### Kody produktów

Przedrostek „EX” w kodzie oznacza, że produkt jest zgodny z dyrektywą ATEX.



#### 4. Obowiązujące dyrektywy

**2014/34/EU (ATEX)** - Systemy przeznaczone do użytku w strefach zagrożonych wybuchem.  
**2014/53/EU (EMC)** - Sprzęt radiowy  
**2011/65/UE (RoHS)** - Ograniczenie stosowania niektórych niebezpiecznych substancji w EEE

#### 5. Standardy odniesienia

ATEX	
<b>EN 60079-11 :2012</b>	Atmosfery wybuchowe Część 11 Ochrona urządzeń przez iskrobezpieczeństwo „I”
<b>ISO/IEC 80079-34:2020</b>	Atmosfery wybuchowe. Część 34: Zastosowanie systemów zarządzania jakością w produkcji wyrobów Ex
<b>EN IEC 60079-0:2018</b>	Atmosfery wybuchowe. Część 0: Sprzęt - Wymagania ogólne
RED	
<b>Zdrowie i bezpieczeństwo</b>	<b>2014/53/UE – Art. 3(1)(a)</b> EN 62368-1:2020, EN 62479:2010, EN 50364 :2010
<b>EMC</b>	<b>2014/53/UE – Art. 3(1)(b)</b> ETSI EN 301 489-1 V2.2.3:2019 ETSI EN 301 489-3 V2.1.1:2019 ETSI EN 301 489-17 V3.2.4:2020
<b>Wykorzystanie widma</b>	<b>2014/53/UE – Art. 3(2)</b> ETSI EN 300 328 V2.2.2:2019 ETSI EN 300 330 V2.1.1:2017
<b>Cybersecurity</b>	<b>2014/53/UE – Art. 3(3)</b> EN18031-1:2024
<b>Inne</b>	<b>2014/53/UE – Art. 3(3)</b> //
IP Code	
<b>F9000</b> cylindry (wszystkie profile) kłódki	<b>EN 60529</b> <b>IP6X</b> – Pyłoszczelność przy podciśnieniu 20 mbar / 8 godzin <b>IPX6</b> – Silny strumień wody 100 l/min. przy 100 kPa, odległość 3 m. <b>IPX8</b> – Zanurzenie w wodzie na głębokość 5,0 m przez 1 godzinę <b>IPX9</b> – Silny strumień wody o temperaturze 80°C i ciśnieniu 8÷10 MPa z odległości 0,2 m.
<b>F9000</b> klucz	<b>IP6X</b> – Pyłoszczelność przy podciśnieniu 20 mbar / 8 godzin <b>IPX5</b> – Strumień wody 12,5 l/min. przy 30 kPa odległość 3 m.
IK Code	
<b>F9000</b> klucz	<b>EN 62262</b> <b>IK08</b> – Odporność na uderzenie z energią 5 J przez stalową kulę Ø 50 mm o masie 1,5 kg.

#### 6. ATEX - certyfikaty UE

Number	Current issuing	Notified Body
0425 ATEX 004673-02 X Badanie typu UE (załącznik III)	2024-07-01	ICIM S.p.A. (NB0425)
0425 ATEX 001948-07 Zapewnienie jakości produktu (załącznik VII)	2024-02-06	ICIM S.p.A. (NB0425)

#### 7. ATEX - Klasyfikacja

Ex II	2	G	Ex ib	IIB	T4	Gb
Do użytku w przemyśle powierzchniowym (z wyłączeniem kopalni)	Urządzenie jest przydatne w strefach 1 i 2, natomiast nie jest przydatne w strefie 0.	Gas	Zabezpieczenie iskrobezpieczne	Grupa gazu Kwas octowy, aceton, Amoniak, Butan, cykloheksan, propan, Benzyna, Metan (naturalny, niekopalniany) Toluen, Ksielen, Metanol (alkohol metylowy), Propan-2-ol, eter dwuetylowy, etanol, keton metylowo-etylowy (MEK), propan-1-ol (alkohol n-propylowy), etylen	Temperatura powierzchni urządzenia ≤120°C Parametru tego nie należy mylić z zakresem temperatur użytkowania wskazanym w instrukcji obsługi. (-20°C + +50°C)	Wysoki poziom ochrony: nie stanowi źródła zapłonu podczas normalnej pracy lub podczas spodziewanej awarii

#### 8. ATEX - Oznaczenie (orientacyjnie)



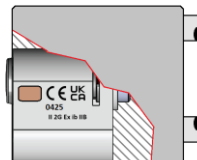
**Cylindry**

- Marka ISEO jako producent
- Znak CE i UKCA oraz numer nadwozia (0425)
- Piktogram ATEX Ex i obniżona klasyfikacja



**Klucze**

- Marka ISEO jako producent
- Znak CE i UKCA oraz numer nadwozia (0425)
- Piktogram ATEX Ex i obniżona klasyfikacja



**Kłódki**

- Marka ISEO jako producent
- Znak CE i UKCA oraz numer nadwozia (0425)
- Piktogram ATEX Ex i obniżona klasyfikacja

## 9. Więcej informacji

Dokument	Zakres	Liczba	Data wydania	Wydane przez
Technical file	CE and UKCA	FT F9000 rev.16.2	2025-11-07	ISEO SERRATURE S.p.A.
Test report	ATEX (ITT)	IT/EUT/ExTR24.0001/00	2024-04-29	Eurofins Product Testing Italy S.r.l.
Test report	ATEX (ITT)	EPT.24.ATEX.0069/2323057	2024-04-29	Eurofins Product Testing Italy S.r.l.
Test report	ATEX (Coil analysis)	EPT.22.ATEX.0228/2223052	2022-12-22	Eurofins Product Testing Italy S.r.l.
Test report	ATEX (ITT)	IT/EUT /ExTR22.0005/00	2022-07-26	Eurofins Product Testing Italy S.r.l.
Test report	ATEX (ITT)	EPT.22.ATEX.0115/2223004	2022-07-26	Eurofins Product Testing Italy S.r.l.
Test report	ATEX (batteries)	AT24-0110265-01	2025-02-11	IMQ S.p.A.
Test report	RED	0703-3-23-SAFRT-0	2024-03-22	RADIOMOTIVE S.r.l
Test report	RED	0703-23-REDRT-1	2023-04-19	RADIOMOTIVE S.r.l
Test report	RED	0007-3-23-SAFTR-0	2023-06-09	RADIOMOTIVE S.r.l
Test report	RED	0007-4-23-EMCTR-0	2023-04-18	RADIOMOTIVE S.r.l
Test report	RED	0007-7b-23-MPETR 0	2023-04-18	RADIOMOTIVE S.r.l
Test report	RED	0007-7a-23-MPETR-0	2023-04-18	RADIOMOTIVE S.r.l
Test report	RED	0007-6-23-RADIOTR-0	2023-04-18	RADIOMOTIVE S.r.l
Test report	RED	0007-5-23-RADIOTR-0	2023-04-18	RADIOMOTIVE S.r.l
Test report	RED	0703-7b-23-MPETR-0	2024-03-19	RADIOMOTIVE S.r.l
Test report	RED	0703-7a-23-MPETR-0	2024-03-19	RADIOMOTIVE S.r.l
Test report	RED	0703-4-23-EMCTR-0	2024-03-19	RADIOMOTIVE S.r.l
Test report	RED	0703-6-23-RADIOTR-0	2024-03-19	RADIOMOTIVE S.r.l
Test report	RED	0703-23-SAFRT-0	2024-03-22	RADIOMOTIVE S.r.l
Test report	RED	EN18031 Conceptual test - (System)	2025-10-14	Security Pattern S.r.l.
Test report	RED	EN18031 Functional test - (System)	2025-10-17	Security Pattern S.r.l.
Test report	IP test (cylinder)	598-QL18-R01 IP 66, 68, 69	2018-06-25	QUALILAB S.r.l.
Test report	IP test (key)	850-QL17-R01 IP X5	2017-09-04	QUALILAB S.r.l.
Test report	IP test (key)	850-QL17-R02 IP 6X	2017-09-04	QUALILAB S.r.l.
Test report	IK test (key)	850-QL17-R03 IK 08	2017-09-04	QUALILAB S.r.l.
Test report	RoHS	CH.23.05.30.07-01	2023-06-29	APAVE ITALIA CPM S.r.l.
Test report	RoHS	CH.25.02.13.02-02	2025-03-20	APAVE ITALIA CPM S.r.l.

## 10. Recepty specjalne

**Patrz instrukcje obsługi dołączone do produktu, a także dostępne na stronie internetowej [www.iseo.com](http://www.iseo.com)**

- Należy używać wyłącznie baterii litowej CR2450 (MURATA, PANASONIC, VARTA).
- Baterii nie wolno wymieniać w pomieszczeniach zagrożonych wybuchem.
- Użytkownik musi podjąć środki ostrożności w celu zapewnienia, że nie dojdzie do wyładowań z powodu potencjalnego gromadzenia się ładunków elektrostatycznych.
- Programowanie i sprawdzanie poprawności klucza nie może odbywać się w atmosferze potencjalnie wybuchowej.

**Deklaracja SCIP dostępna na stronie <https://www.iseo.com/en/Support/Download>**

<p><b>UK</b> United Kingdom</p>	<p>The items described in 3) are in compliance with:</p> <ul style="list-style-type: none"> <li>• <b>ATEX - DIRECTIVE 2014/34/EU</b> of the European Parliament and of the Council of 26 February 2014 on the harmonization of the laws of the Member States relating to equipment and protective systems intended for use in potentially explosive atmospheres according to CE marking</li> <li>• <b>RED - DIRECTIVE 2014/53/EU</b> of the European Parliament and of the Council of 16 April 2014 on the harmonization of the laws of the Member States relating to the making available on the market of radio equipment and repealing Directive 1999/5/EC</li> <li>• <b>RoHS - DIRECTIVE 2011/65/ EU</b> of the European Parliament and of the Council of 8 June 2011 on the restriction of the use of certain hazardous substances in electrical and electronic equipment</li> </ul>
<p><b>IT</b> Italia</p>	<p>Gli articoli di cui al punto 3) sono conformi a:</p> <ul style="list-style-type: none"> <li>• <b>ATEX - DIRETTIVA 2014/34/UE</b> del Parlamento Europeo e del Consiglio del 26 febbraio 2014 concernente l'armonizzazione delle legislazioni degli Stati membri relative agli apparecchi e sistemi di protezione destinati a essere utilizzati in atmosfera potenzialmente esplosiva per la marcatura CE</li> <li>• <b>RED - DIRETTIVA 2014/53/UE</b> del Parlamento Europeo e del Consiglio del 16 aprile 2014 concernente l'armonizzazione delle legislazioni degli Stati membri relative alla messa a disposizione sul mercato di apparecchiature radio e che abroga la direttiva 1999/5/CE</li> <li>• <b>RoHS - DIRETTIVA 2011/65/UE</b> del Parlamento Europeo e del Consiglio dell'8 giugno 2011 sulla restrizione dell'uso di determinate sostanze pericolose nelle apparecchiature elettriche ed elettroniche</li> </ul>
<p><b>ES</b> España</p>	<p>Los elementos descritos en 3) se ajustan a lo previsto por:</p> <ul style="list-style-type: none"> <li>• <b>ATEX - DIRECTIVA 2014/34/UE</b> del Parlamento Europeo y del Consejo de 26 de febrero de 2014 sobre la armonización de las legislaciones de los Estados miembros en materia de aparatos y sistemas de protección para uso en atmosferas potencialmente explosivas para el marcado CE</li> <li>• <b>RED - DIRECTIVA 2014/53/UE</b> del Parlamento Europeo y del Consejo de 16 de abril de 2014 relativa a la armonización de las legislaciones de los Estados miembros sobre la comercialización de equipos radioeléctricos, y por la que se deroga la Directiva 1999/5/CE</li> <li>• <b>RoHS - DIRECTIVA 2011/65/UE</b> del Parlamento Europeo y del Consejo de 8 de junio de 2011 sobre restricciones a la utilización de determinadas sustancias peligrosas en aparatos eléctricos y electrónicos</li> </ul>
<p><b>FR</b> France</p>	<p>Les éléments décrits dans 3) sont conformes à :</p> <ul style="list-style-type: none"> <li>• <b>ATEX - DIRECTIVE 2014/34/UE</b> du Parlement Européen et du Conseil du 26 février 2014 relative à l'harmonisation des législations des États membres concernant les appareils et les systèmes de protection destinés à être utilisés en atmosphères explosibles pour le marquage CE</li> <li>• <b>RED - DIRECTIVE 2014/53/UE</b> du Parlement Européen et du Conseil du 16 avril 2014 relative à l'harmonisation des législations des États membres concernant la mise à disposition sur le marché d'équipements radioélectriques et abrogeant la directive 1999/5/CE</li> <li>• <b>RoHS - DIRECTIVE 2011/65/UE</b> du Parlement Européen et du Conseil du 8 juin 2011 relative à la limitation de l'utilisation de certaines substances dangereuses dans les équipements électriques et électroniques</li> </ul>
<p><b>DE</b> Deutschland</p>	<p>Die Leistung des ProdENts unter den Nummern 3) Sie:</p> <ul style="list-style-type: none"> <li>• <b>ATEX - RICHTLINIE 2014/34/EU</b> des Europäischen Parlaments und des Rates vom 26. Februar 2014 zur Harmonisierung der Rechtsvorschriften der Mitgliedstaaten für Geräte und Schutzsysteme zur bestimmungsgemäßen Verwendung in Explosion gefährdeten Bereichen.</li> <li>• <b>RED - RICHTLINIE 2014/53/EU</b> des Europäischen Parlaments und des Rates vom 16 April 2014 über die Harmonisierung der Rechtsvorschriften der Mitgliedstaaten über die Bereitstellung von Funkanlagen auf dem Markt und zur Aufhebung der Richtlinie 1999/5/EG</li> <li>• <b>RoHS - RICHTLINIE 2011/65/EU</b> des Europäischen Parlaments und des Rates vom 8. Juni 2011 zur Beschränkung der Verwendung bestimmter gefährlicher Stoffe in Elektro- und Elektronikgeräten</li> </ul>
<p><b>PL</b> Poland</p>	<p>Pozycje opisane w punkcie 3) są zgodne z:</p> <ul style="list-style-type: none"> <li>• <b>ATEX - DYREKTYWA 2014/34/EU</b> - Parlamentu Europejskiego i Rady z dnia 26 lutego 2014 r. w sprawie harmonizacji ustawodawstw państw członkowskich odnoszących się do urządzeń i systemów ochronnych przeznaczonych do użytku w przestrzeniach zagrożonych wybuchem zgodnie z oznakowaniem CE</li> <li>• <b>RED - DYREKTYWA 2014/53/EU</b> Parlamentu Europejskiego i Rady z dnia 16 kwietnia 2014 r. w sprawie harmonizacji ustawodawstw państw członkowskich odnoszących się do udostępniania na rynku urządzeń radiowych i uchylająca dyrektywę 1999/5/WE</li> <li>• <b>RoHS - DYREKTYWA 2011/65/ EU</b> Parlamentu Europejskiego i Rady z dnia 8 czerwca 2011 r. w sprawie ograniczenia stosowania niektórych niebezpiecznych substancji w sprzęcie elektrycznym i elektronicznym</li> </ul>

Luogo  
Place  
Lugar  
Lieu  
Ort  
Miejsce

**PISOGNE (BS) ITALY**

Prima emissione  
First issuing  
Fecha de primera Emisión  
Première deliverance  
Erste Ausstellung  
Pierwsze wydanie

**22/01/2009**

Emissione corrente  
Current issuing  
Emisión Actual  
Attribution en cours  
Aktuelle Ausstellung  
Bieżąca emisja

**29/01/2026**

**ISEO SERRATURE S.p.A.**

**Stefano Gelmini**

Responsabile Certificazione di Prodotto  
Product Certification Manager  
Gerente de certificación de productos  
Responsable de la certification des produits  
Produkt-Zertifizierungsmanager  
Kierownik ds. certyfikacji produktów

