

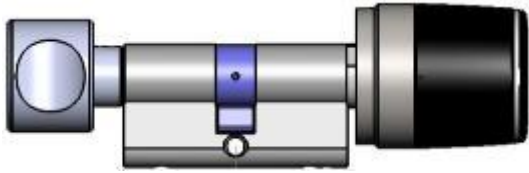
Libra Protectors



Rev.1.0_UK

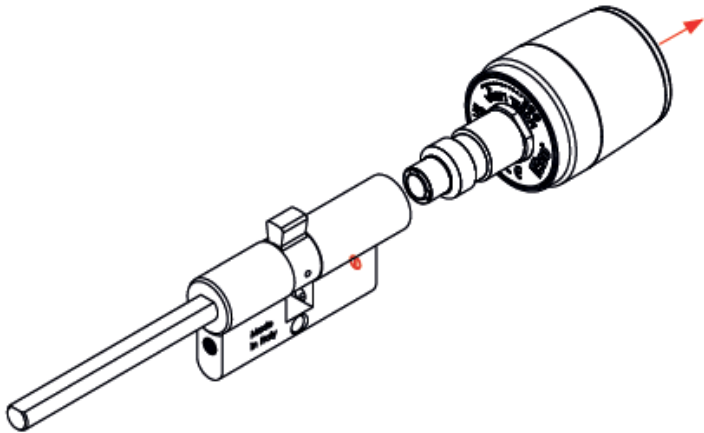
2016 February 12

Libra Removable Reader



The LIBRA cylinder in the **standard version** has the external electronic knob **fixed on the body**.

This can be a limitation when the installation cannot be done from the external side but needs to be done from the internal side. For example, when we want to install a **protector** or a security plate.

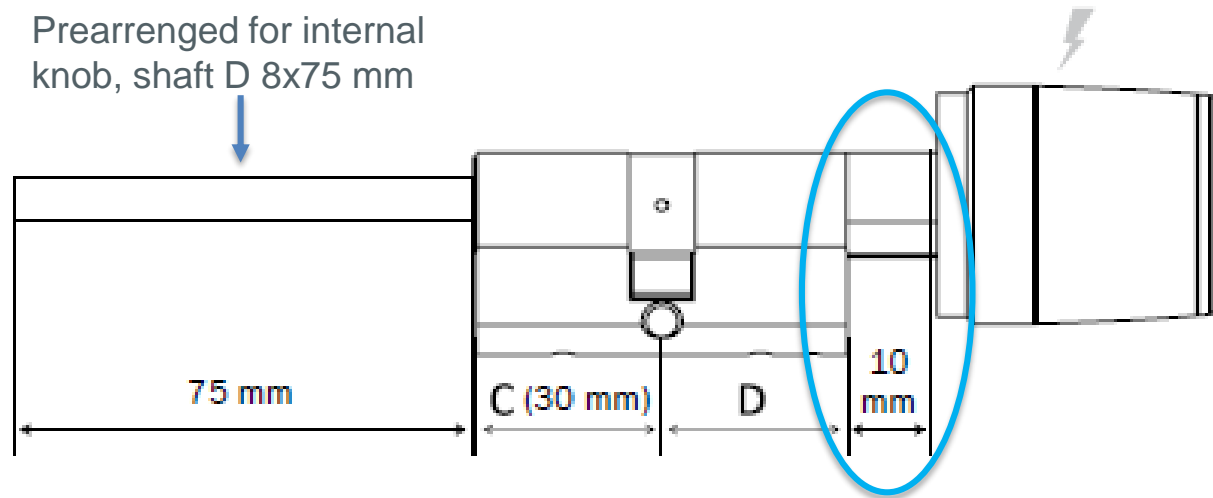


The **Removable Reader** version instead allows to dismount the external knob, using a tool from the inside, and then mount it in a secure way, once the cylinder is already installed on the door.

Libra Removable Reader and Extension plug

The **Libra Removable Reader** is available in two versions:

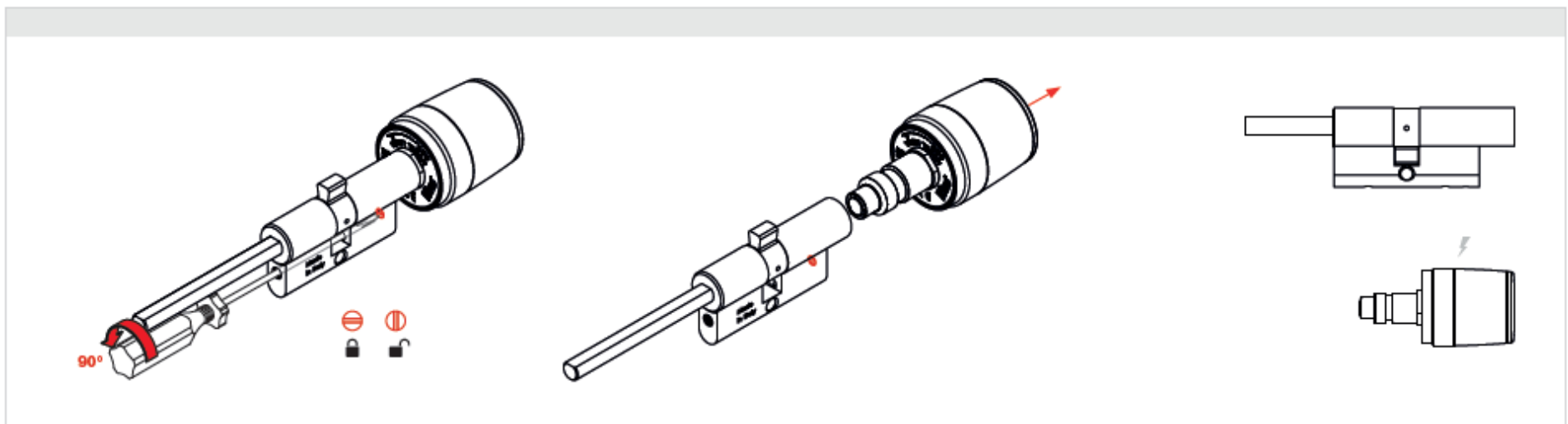
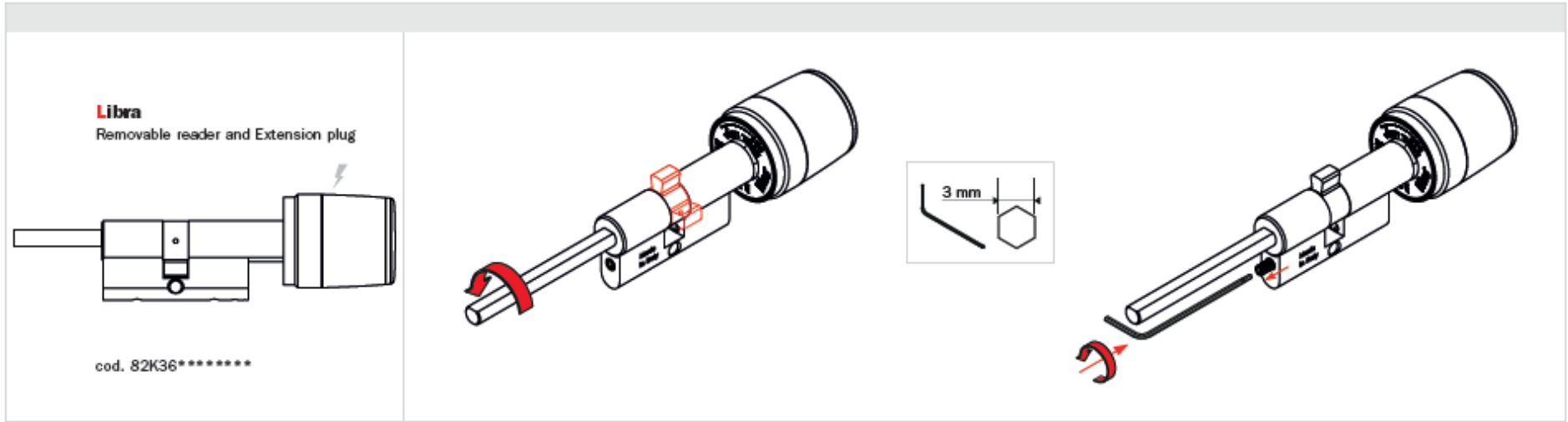
- a) With standard neck.
- b) With longer neck (+10mm), called **Extension Plug**, just suitable for installation with **protectors**.



See characteristics and coding on “*Catalogue Iseo Zero1 2015*”, code 000844.UK.

Libra Removable Reader and Extension plug

Disassembling instruction:



See also “Armored Door Installation Guide”, code KW13880.

Libra Protectors



Libra Removable Reader allows the installation in combination with a **Standard Protector** for mechanical cylinders, assuring a high degree of protection of the door against **burglary**.



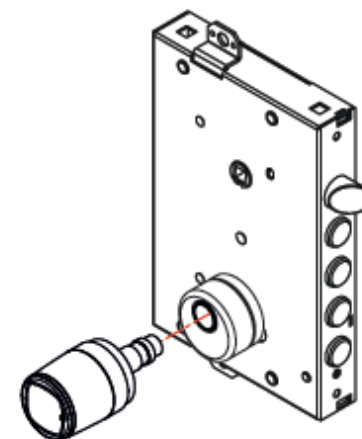
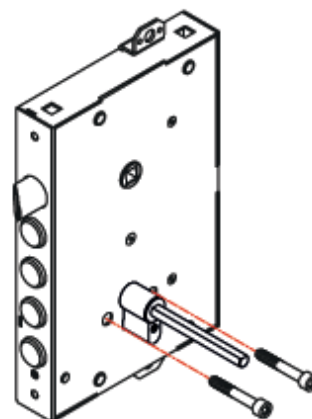
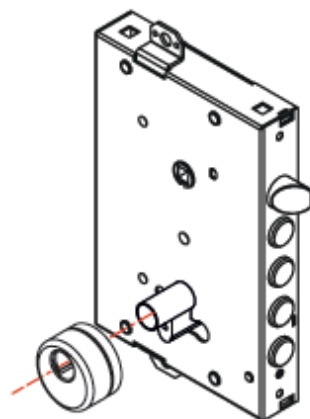
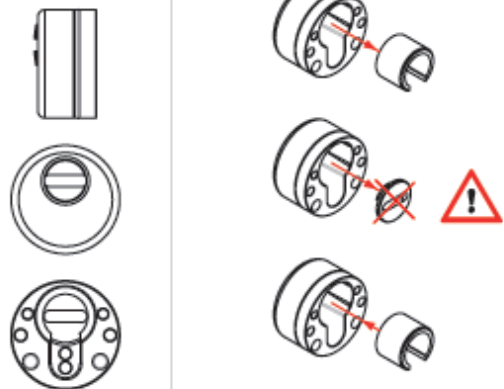
When a higher degree of protection, against **burglary**, is required, it is possible to install, in combination with the **Libra** cylinder, a special protector, called **Anti-Intrusion Protection**, specifically designed by **ISEO**, to increase Libra resistance.

Standard Protector

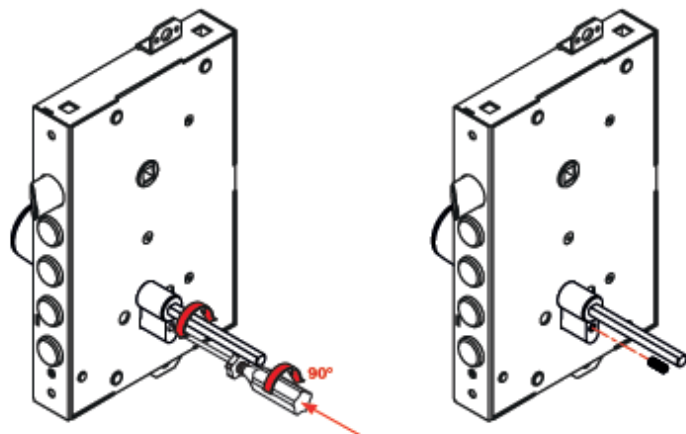
Assembling instruction:

MONTAGGIO DEFENDER - DEFENDER INSTALLATION

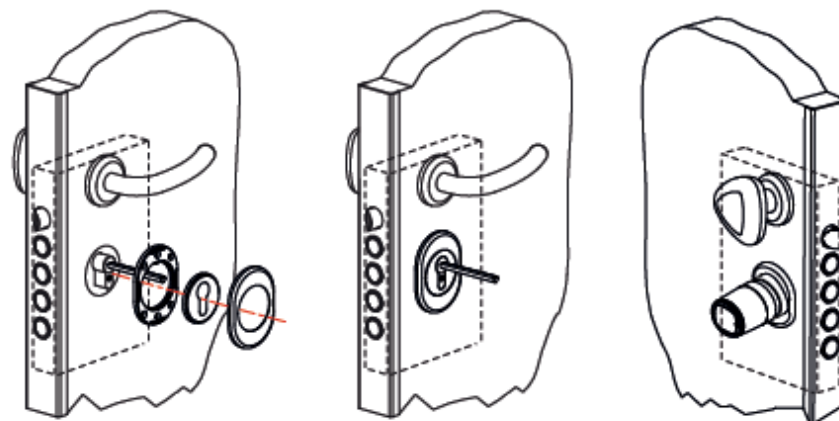
cod. 1234567890



MONTAGGIO DEFENDER - DEFENDER INSTALLATION



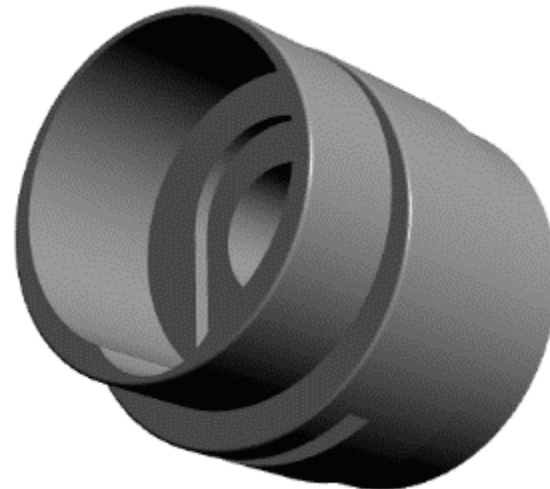
MONTAGGIO DEFENDER - DEFENDER INSTALLATION



See also "Armored Door Installation Guide", code KW13880.

Anti-Intrusion Protection

- Protects the **cylinder body** from **drilling** and **pulling attacks**.
- It has a **lateral protection**, up to half of the electronic knob, assuring a good protection against **accidental impacts** and in part against **vandalism**.
- Assures a correct functioning of both the **RFID reader**, and the **Bluetooth radio** in the **Smart version**.
- Allows the **battery change** from the external side, by means of a special tool.
- It has a **50mm diameter**, compatible with the **anti-intrusion escutcheon** present in the market.



Anti-Intrusion Protection

- It is fixed from the inside, by two screws through the lock.

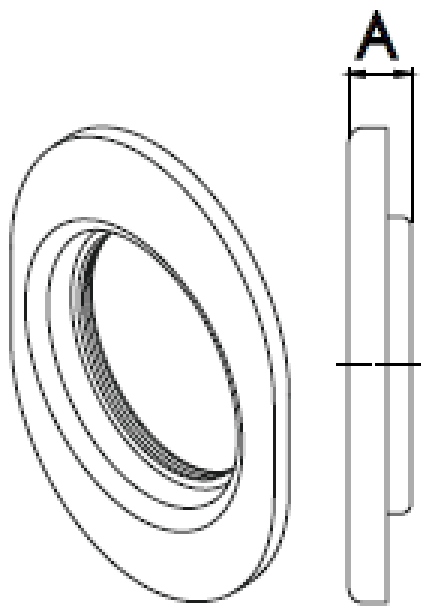


- Made of **steel** is available in **Inox** and **Polished brass (PVD)** finishes.



Anti-Intrusion Protection

- In combination with the threaded **anti-intrusion escutcheon**, allows a fine tuning of the distance from the cylinder body.



ESCUTCHEON ANTI-INTRUSION KIT

For **Libra** cylinder, for armored doors.

A= 13 mm, PVD polished brass

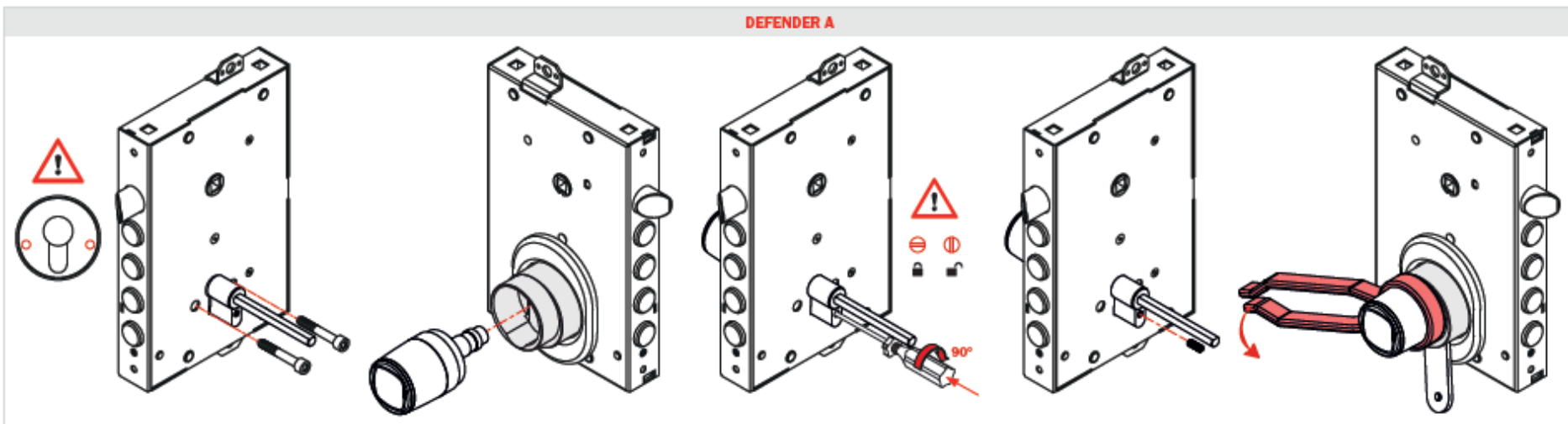
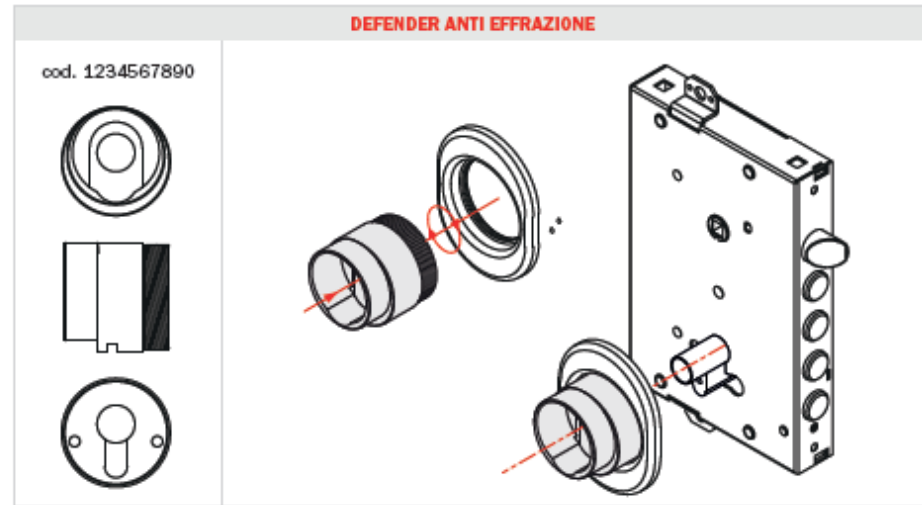
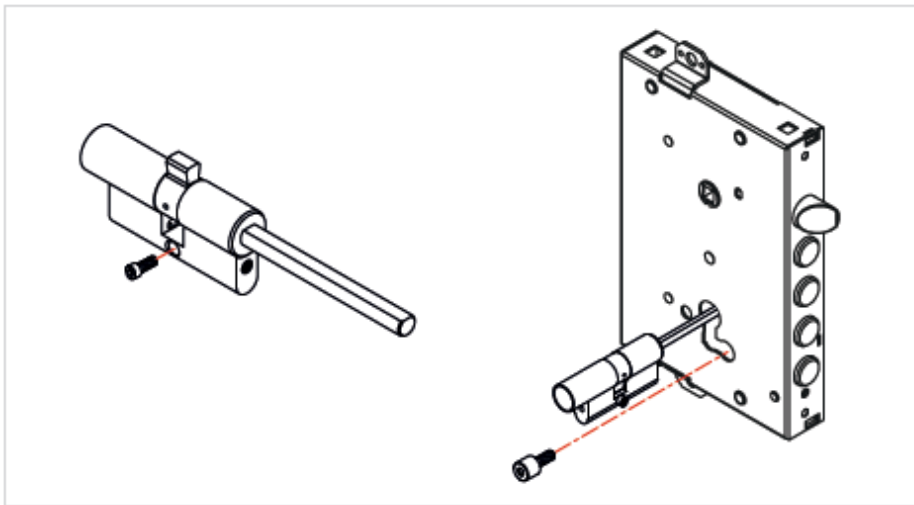
A= 13 mm, satin inox

A= 17 mm, PVD polished brass

A= 17 mm, satin inox

Anti-Intrusion Protection

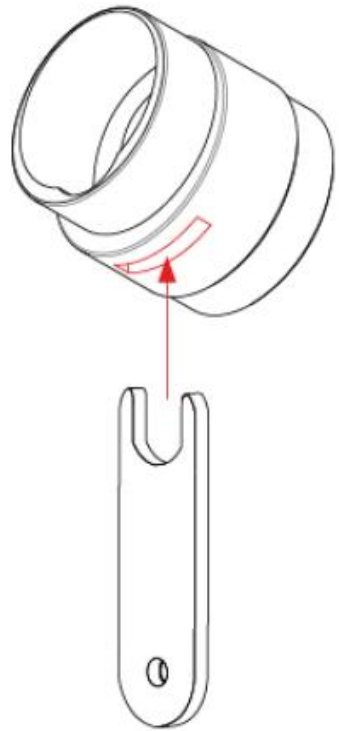
Assembling instruction:



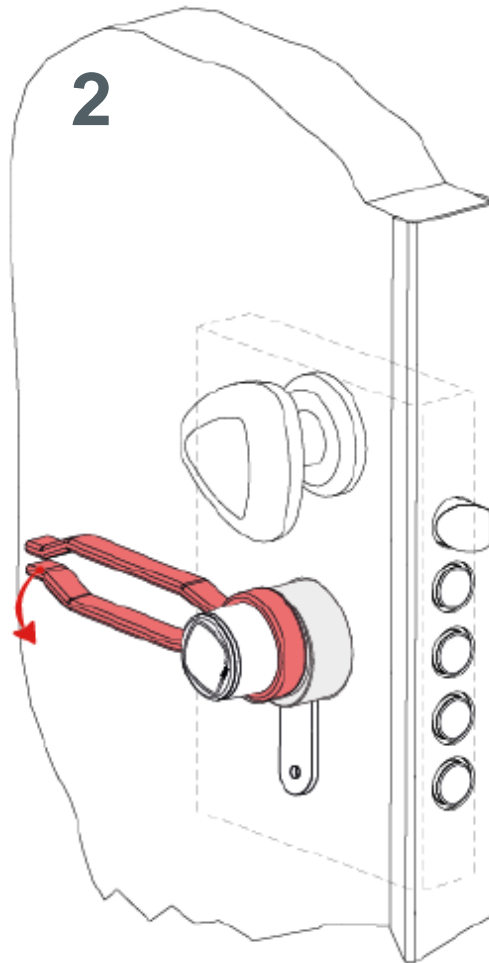
Anti-Intrusion Protection

Knob cover removal:

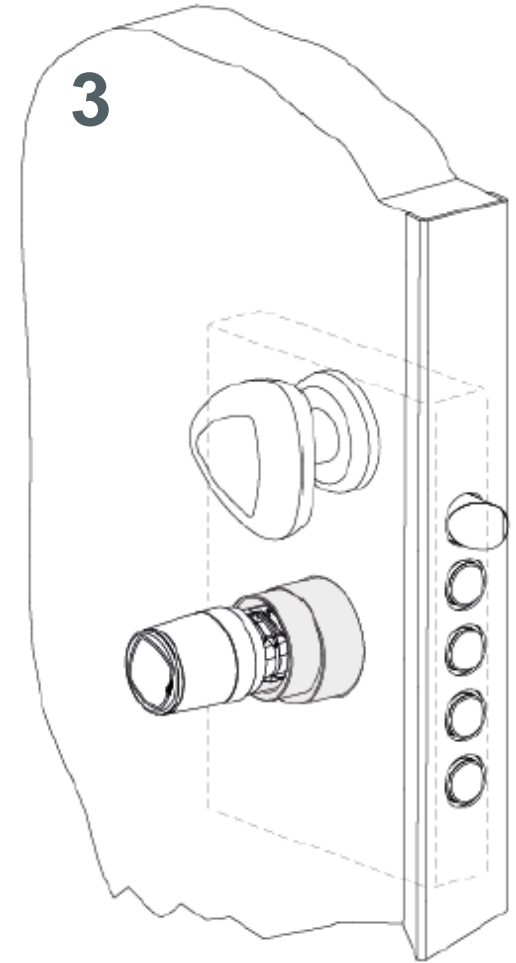
1



2



3



THANK YOU!